

DELTEC[®] CABLE SUPPORT SYSTEM DESCRIPTION AND USE

ISSUE 2

JANUARY 1995

1. GENERAL

- 1.1 DELTEC[®] cable supports were developed to last much longer in the outdoor environment than the standard "C" lasher. They have been tested and met the requirements of Bellcore.
- 1.2 At poles, splices or other points where the cable is not lashed snugly to the strand, the cable should be formed in a long, smooth curve, supported in this position by supports and spacers and be kept free from contact with hardware or other obstruction that might cause abrasion.

2. DESCRIPTION

- 2.1 The DELTEC[®] cable support (see Figure 1) is a smooth, black, acetal plastic strap approximately 1/2" wide which is secured by means of a rigid, black, acetal plastic, self-locking head. The locking device is made of corrosion resistant copper alloy.
- 2.2 The DELTEC[®] cable support is provided in two versions; fixed length with heads attached, and in reel form with unattached heads (see Table A)

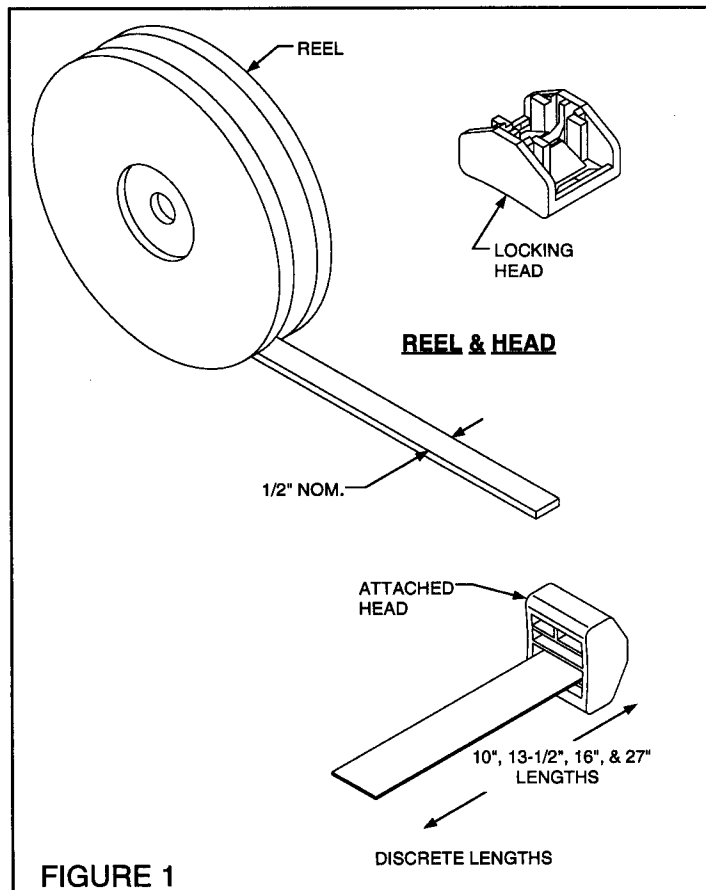
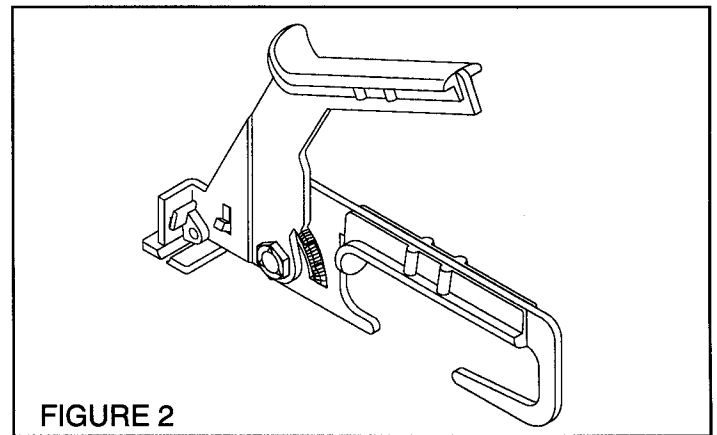


TABLE A

CAT. NO.	DESCRIPTION	HEADS	REELS	STRAP
CSS-100	10" DISCRETE LENGTH	1	-	10"
CSS-135	13-1/2" DISCRETE LENGTH	1	-	13-1/2"
CSS-160	16" DISCRETE LENGTH	1	-	16"
CSS-270	27" DISCRETE LENGTH	1	-	27"
CSS-50R	CABLE SUPPORT ON REEL	0	1	50'
CSS-LH	PACKAGE OF LOCKING HEADS	25	0	0
CSS-5K	REELS PLUS LOCKING HEADS	150	5	250'
CSS-10K	REELS PLUS LOCKING HEADS	300	10	500'

- 2.3 A WT3D tool can be used to tighten the support and to cut it flush with the locking head. Follow tool instructions for proper use. The supports can also be installed by pulling up snug by hand or pliers and then cut flush. (see Figure 2)



3. USE

- 3.1 THE DELTEC[®] cable support system is used for support applications.
- 3.2 Maximum recommend continuous load is 20 lbs per support..

4. INSTALLATION WITH SPACING SUPPORT (TCP-360)

- 4.1 Cable lashing clamps should be positioned and lashing wire terminated 2" outside of the farthest cable support and spacer.
- 4.2 Place DELTEC[®] cable supports on a single cable or sleeve as shown in Figures 3.

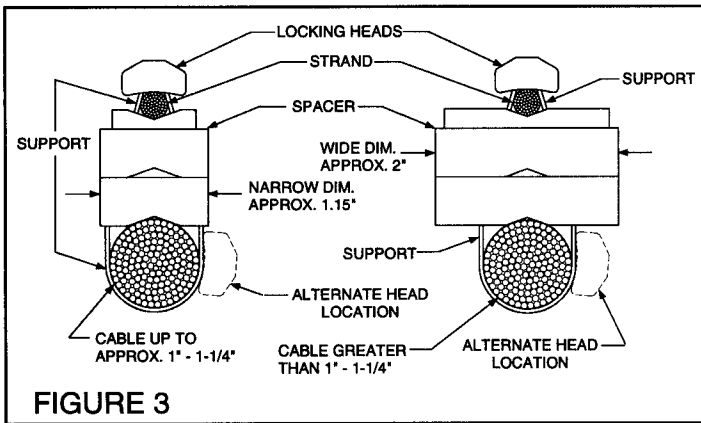


FIGURE 3

- a. If using the reel and loose ends, cut the length of the strap needed and attach locking head to one end.
- b. Thread the strap through the inside slot on one side of the TCP-360 spacer(s)
- c. Wrap the strap around the cable or sleeve passing the end of the support through the inside slots on the other side of the spacer(s).
- d. Insert the strap through the locking head and tighten snugly using moderate tension with the WT3D tool, by hand or by pliers and cut flush.

5. INSTALLATION WITH BASE (CSS-B)

- 5.1 Attach base CSS-B vertically as shown. Use nail or screw up to 1/4" diameter.
- 5.2 Insert strap, snug up and cut off. (see Figure 4)

NOTE: This installation gives lateral support.

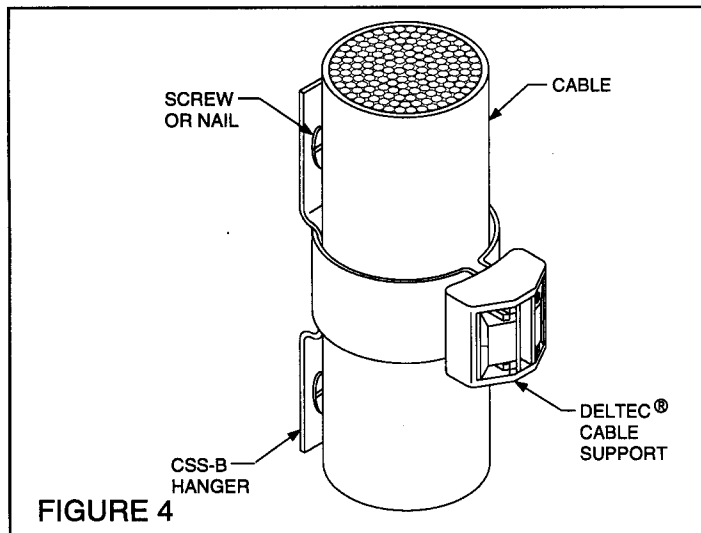


FIGURE 4

6. INSTALLATION WITH HANGER (CSS-H)

- 6.1 Attach hanger CSS-H as shown - use bolt up to 1/4" diameter.
- 6.2 Insert strap into the CSS-H, so that the slot in the locking head with the strap already installed is closest to the wall.
- 6.3 Loop strap around cable and pass back through the CSS-H and locking head, snug up and cut off. (see Figure 5)

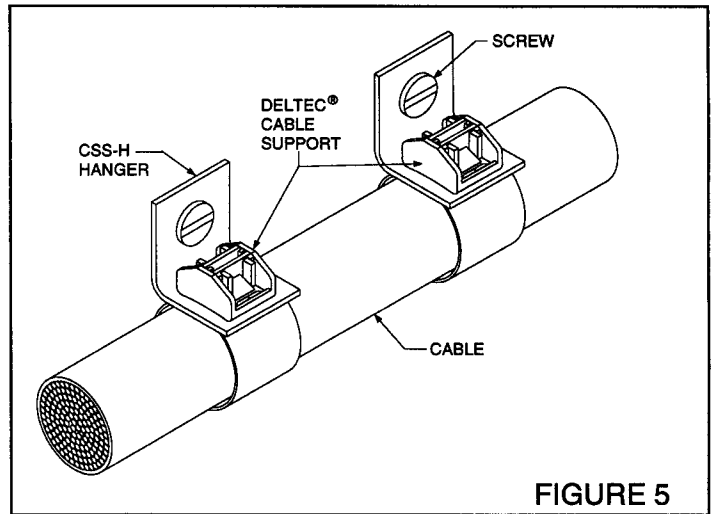


FIGURE 5

7. INSTALLATION WITH DROP WIRE SUPPORT (CSS-DWS)

NOTE: This DELTEC® Drop Wire Support has been designed to support telecommunication cable as part of the DELTEC® Cable Support System. Use only with properly insulated cable. (see Figure 6)

- 7.1 Thread strap through the eye in the support.
- 7.2 Attach the strap to existing cable or pole.
- 7.3 Thread drop wires through loop.

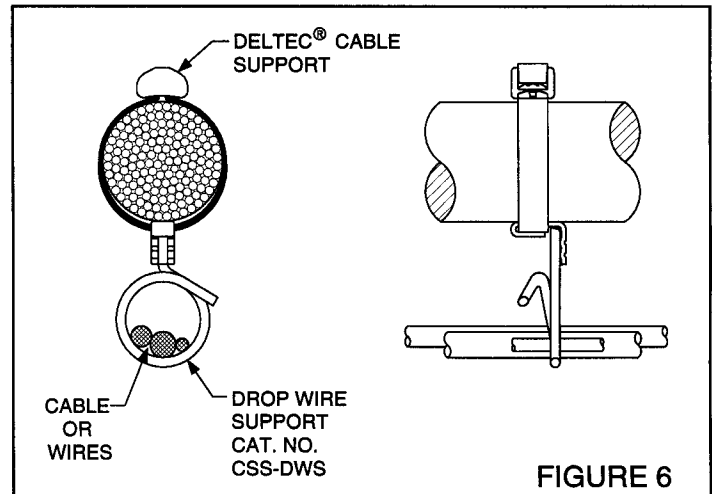


FIGURE 6

WARRANTY: Thomas & Betts sells this product with the understanding that the user will perform all necessary tests to determine the suitability of the product for its intended use. Thomas & Betts manufactures its goods and tools in a manner to be free of defects. Should any defect occur in its goods within two years (or tools within ninety days) of the date of purchase, Thomas & Betts, upon prompt notification, will at its option, exchange or repair the goods or tools or refund the purchase price. Proof of purchase required.

Limitations and Exclusions: THIS WARRANTY IS IN LIEU OF ALL OTHER REPRESENTATIONS AND EXPRESSED AND IMPLIED WARRANTIES (INCLUDING THE IMPLIED WARRANTIES OF MERCHANTABILITY AND FITNESS FOR USE) AND UNDER NO CIRCUMSTANCES SHALL THOMAS & BETTS BE LIABLE FOR ANY INCIDENTAL OR CONSEQUENTIAL PROPERTY DAMAGES OR LOSSES OF ANY KIND.

Thomas & Betts Corporation
 1555 Lynnfield Road, Memphis, Tennessee 38119
 Printed in U.S.A.