



UTILIBAY™

# UTB2 High Bay

Columbia  
LIGHTING



HUBBELL  
Lighting

## Utility

noun

I. the state or quality of being useful; usefulness

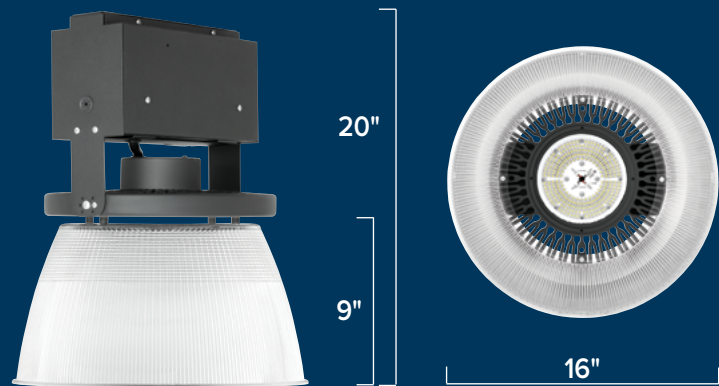
adjective

II. having or made for a number of useful or practical purposes rather than a single, specialized one

## Performance

- Class leader in performance — standard and high efficacy options now available.
- Choose from 70/80/90 CRI color rendition options to refine the aesthetics of the environment.
- Round mechanical design simplifies and enhances symmetrical installation.
- Wide ambient operating range up to 65°C (149°F).
- Light weight construction for easy installation.

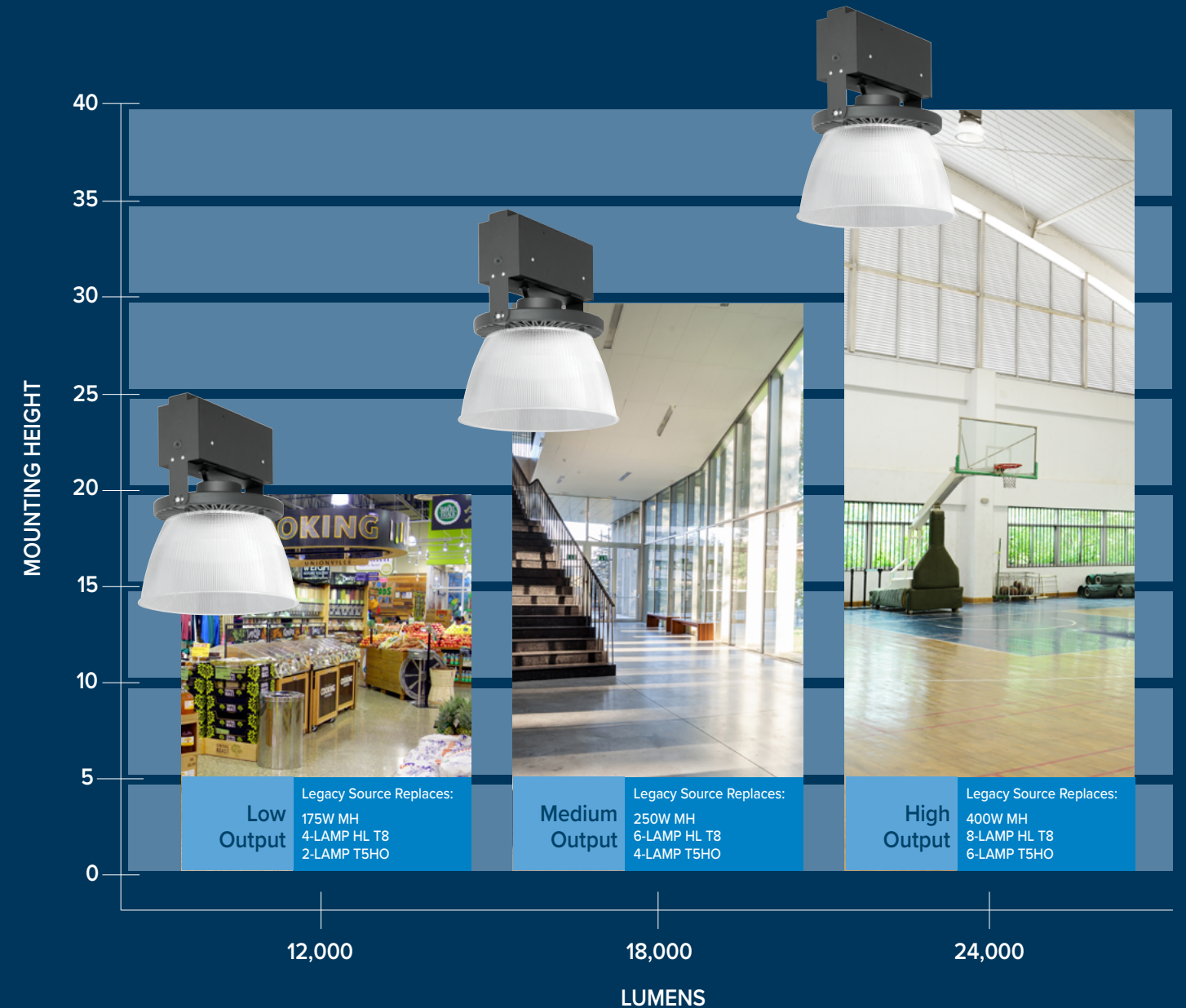
### Dimensions



### APPLICATIONS

- Light Industrial
- Multi-purpose Rooms
- Gymnasiums
- Convention Centers
- Retail
- Grocery
- Warehouse
- Hangars
- Small Arenas

### COLOR OPTIONS





## Upgraded Capability

- Emergency lighting options ensure proper illumination in emergency mode with control override capability, CSA certified to UL 924 standards.
- Integrated sensor options include standalone sensors and NX integrated controls.

### NX HubbNET™ Radio Module

Allows UTB2 to communicate control protocols



### NX Sensor Module

NX controls integrated sensor



## Control Your Space Effortlessly

Hubbell Lighting's UTB2 high bays are available with integrated NX Distributed Intelligence™ lighting control sensors and modules from Hubbell Control Solutions. NX offers complete, code-compliant lighting controls with occupancy/vacancy detection, individual or multi-zone daylight level (harvesting) dimming, time schedules and native BACnet® building networking built in.



### Truly Intelligent

NX integrated UTB2 high bays use the Device Setup App for wireless programming and scheduling, dramatically reducing the time it takes to configure or modify crucial settings. UTB2 high bays with NX sensors are optimized for high mounting heights typically found in warehouse, manufacturing and gymnasium applications.



### Scalable

Using wired, wireless and hybrid networks, the NX enabled UTB2 high bays operate in multi-tiered control strategies.

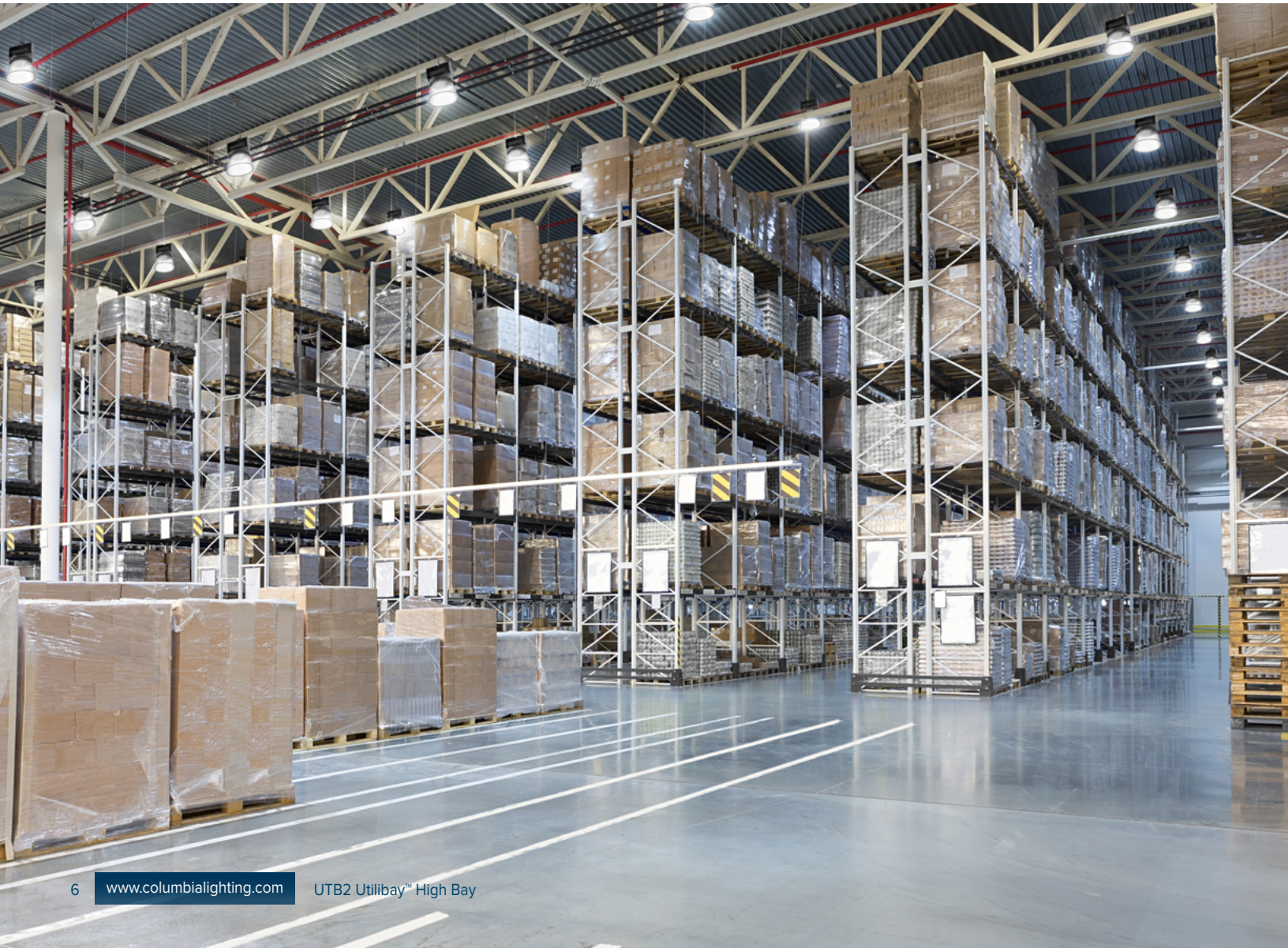


### Simple

NX Integrated UTB2 high bays simplify planning and reduce installation costs and complexity—no additional control wiring.

# Reflector and Lens Options

The Utilibay™ High Bay is available with 5 different reflector options and 3 different lens options providing a solution for a variety of environments.



# Ordering Information

Example: UTB2-730-LX-ED1-WA16-DLR-WH-C6HLP115A

| UTB2 Series              | CRI | Color Temp | Nominal Lumens | ED Driver               | Voltage    | Optic                  | Lens   | Color    |        |                             |                            |                 |
|--------------------------|-----|------------|----------------|-------------------------|------------|------------------------|--------|----------|--------|-----------------------------|----------------------------|-----------------|
| UTB2 High Bay (Series 2) | 7   | >70        | 30 3000K       | ED 0-10V dimming to 10% | U 120-277V | WA16 Clear Acrylic 16" | N None | BL Black |        |                             |                            |                 |
|                          | 8   | >80        | 35 3500K       |                         |            |                        |        |          | 1 120V | WW16 Translucent White 16"  | CDL Conical Drop Lens      | GR Gray         |
|                          | 9   | >90        | 40 4000K       |                         |            |                        |        |          | 2 208V | OP16 Opalescent Acrylic 16" | DLR Dropped Lens Refractor | WH White        |
|                          |     |            | 50 5000K       |                         |            |                        |        |          | 3 240V | SB16 Suspended Bead 16"     |                            |                 |
|                          |     |            |                |                         |            |                        |        |          | 4 277V | AL16 Anodized Aluminum 16"  | P95 Frosted Acrylic Lens   | CC Custom Color |
|                          |     |            | 5 480V         | N No Optic              |            |                        |        |          |        |                             |                            |                 |
|                          |     |            | LX 12,000      |                         |            |                        |        |          |        |                             |                            |                 |
|                          |     |            | LXHE 12,000    |                         |            |                        |        |          |        |                             |                            |                 |
|                          |     |            | MM 18,000      |                         |            |                        |        |          |        |                             |                            |                 |
|                          |     |            | MMHE 18,000    |                         |            |                        |        |          |        |                             |                            |                 |
|                          |     |            | MH 24,000      |                         |            |                        |        |          |        |                             |                            |                 |
|                          |     |            | MHHE 24,000    |                         |            |                        |        |          |        |                             |                            |                 |
|                          |     |            | MVHE 30,000    |                         |            |                        |        |          |        |                             |                            |                 |

| Options       |   |
|---------------|---|
| C(y)HLP(x)(z) | Cord, Hook, Loop & Plug <sup>2,3</sup>                  |
| C4H           | 4' Cord w/ Hook/Loop                                    |
| C6HL          | 6' Cord w/ Hook/Loop                                    |
| C8HL          | 8' Cord w/ Hook/Loop                                    |
| C10HL         | 10' Cord w/ Hook/Loop                                   |
| C12HL         | 12' Cord w/ Hook/Loop                                   |
| CGS           | Clear Glass LED Shield                                  |
| ELL14         | Emergency Backup, 1400 Lumens (BSL310SB) <sup>4,5</sup> |
| F(x)          | Fusing <sup>2,5</sup>                                   |
| DTS           | Dimming Transfer Module <sup>10,11</sup>                |
| SP            | 10KV Surge protector (voltage specific)                 |

| Options                |   |
|------------------------|---|
| <b>Sensor Controls</b> |   |
| NXWE                   | NX Wireless Enabled <sup>6,7</sup>  |
| NXWD                   | NX Wireless Enabled, Dual SmartPorts <sup>6,7</sup>   |
| NXSWD                  | NX Wireless, PIR Occupancy Sensor, Dimming Daylight Harvesting, Dual SmartPorts, 1:1 Mounting Height to Coverage Ratio <sup>6,7</sup> |
| NXSPH                  | NX, PIR Occupancy Sensor, Dimming Daylight Harvesting, High Mount, 1:1 Mounting Height to Coverage Ratio <sup>6,7</sup>               |
| NXESPH                 | NX Enabled, PIR Occupancy Sensor, Dimming Daylight Harvesting, High Mount, 1:1 Mounting Height to Coverage Ratio <sup>6,7</sup>       |
| NXSPWH                 | NX Wireless, PIR Occupancy Sensor, Dimming Daylight Harvesting, High Mount, 1:1 Mounting Height to Coverage Ratio <sup>6,7</sup>      |
| SCL                    | On/Off Occ. Sensor, Low Voltage, 1:25 Mounting Height to Coverage Ratio <sup>5,6,9</sup>  |
| SCD                    | Dim. Occ. Sensor, Line Voltage, 1:25 Mounting Height to Coverage Ratio <sup>5,6,9</sup>   |
| LV                     | Lutron Vive™ Enabled <sup>5,6,8</sup>   |

| Accessories                      |   |
|----------------------------------|---|
| <input type="checkbox"/> UTBFWG  | Wire Guard - Full Cage  |
| <input type="checkbox"/> UTBWGD  | Wire Guard - Full Cage with Deep Lens Bottom Cover for CDL or DLR Lens option |
| <input type="checkbox"/> UTBFWGS | Wireguard - Full Cage with Shallow lens bottom cover for P95 Lens option      |
| <input type="checkbox"/> UTB-TLR | Luminaire Retainer  |

- Notes:
- Not available with voltage specific cord or fuse options.
  - Replace (X) with the voltage, 1=120V, 2=208V, 3=240V, 4=277V, F= 347V, 5=480V.
  - Replace (Y) with the length. 4=4ft, 6=6ft, 8=8ft., 10=10ft., 12=12ft. Replace (Z) with 15A or 20A.
  - ELL14 Not available with Fusing - F(x) or Surge Protector - SP
  - Not available with 347V or 480V
  - Not available with any other control options.
  - Not available with 480V
  - VIVE is a trademark of Lutron Electronic Co., Inc.
  - Not available with N - No Optic
  - For emergency circuit control loads including sensors and wireless systems listed to UL924. Universal voltage only
  - Consult factory for available configurations



ARCHITECTURAL AREA LIGHTING

BEACON PRODUCTS

COLUMBIA LIGHTING

COMPASS

DUAL-LITE

HUBBELL CONTROL SOLUTIONS

HUBBELL OUTDOOR LIGHTING

KIM LIGHTING

KURT VERSEN

LITECONTROL

PRESCOLITE

**Columbia**  
LIGHTING

701 Millennium Blvd. Greenville, SC 29607  
Tel 864.678.1000  
[www.columbialighting.com](http://www.columbialighting.com)

HIL18000006 Brochure-UTB2 Modified 09/20

Copyright © 2020 Columbia Lighting, a division of Hubbell Lighting, Inc. All rights reserved. Please refer to online specifications for most up-to-date content as specifications are subject to change without notice.