

ITEM NO.	CAT. NO.	CONDUCTOR (COPPER) RANGE (A)	FIG. NO.	CONDUCTOR (COPPER) RANGE (A)										INSTALLATION TORQUE (IN-LB) [N.M.]
				C	D	E	F	H	K	L	N	T	W	
353169	Q3A8C2	#14 SOL. (.064 [2]) - #8 STR. (.146 [4])	1	1.25 [32]	1.56 [40]	.88 [22]	.88 [22]	1.00 [25]	.34 [9]	2.38 [60]	.34 [9]	.19 [5]	2.69 [68]	75 [8.5]
30000581	Q3A8C4	#14 SOL. (.064 [2]) - #8 STR. (.146 [4])	2	1.56 [40]	1.56 [40]	.88 [22]	.88 [22]	1.00 [25]	.34 [9]	2.38 [60]	.34 [9]	.19 [5]	2.69 [68]	75 [8.5]
358167	Q3A4C2	#8 STR. (.146 [4]) - #4 STR. (.232 [6])	1	1.25 [32]	1.56 [40]	.88 [22]	.88 [22]	1.00 [25]	.34 [9]	2.38 [60]	.34 [9]	.19 [5]	2.69 [68]	110 [12.4]
30000583	Q3A4C4	#8 STR. (.146 [4]) - #4 STR. (.232 [6])	2	1.56 [40]	1.56 [40]	.88 [22]	.88 [22]	1.00 [25]	.34 [9]	2.38 [60]	.34 [9]	.19 [5]	2.69 [68]	110 [12.4]
358153	Q3A1C2	#4 STR. (.232 [6]) - #1 STR. (.330 [8])	1	1.50 [38]	1.88 [48]	1.00 [25]	1.00 [25]	1.06 [27]	.44 [11]	2.88 [73]	.44 [11]	.22 [6]	2.88 [73]	150 [16.9]
30000585	Q3A1C4	#4 STR. (.232 [6]) - #1 STR. (.330 [8])	2	1.88 [48]	1.88 [48]	1.00 [25]	1.00 [25]	1.06 [27]	.44 [11]	2.88 [73]	.44 [11]	.22 [6]	2.88 [73]	150 [16.9]
358391	Q3A262	1/0 STR. (.373 [9]) - 2/0 STR. (.418 [11])	1	1.62 [41]	2.00 [51]	1.00 [25]	1.00 [25]	1.19 [30]	.44 [11]	3.06 [78]	.44 [11]	.22 [6]	3.00 [76]	180 [20.3]
358055	3 Q3A262N	1/0 STR. (.373 [9]) - 2/0 STR. (.418 [11])	1	1.62 [41]	3.13 [80]	1.75 [44]	1.75 [44]	1.19 [30]	.56 [14]	4.19 [106]	.62 [16]	.22 [6]	3.00 [76]	180 [20.3]
358475	Q3A264	1/0 STR. (.373 [9]) - 2/0 STR. (.418 [11])	2	1.88 [48]	2.00 [51]	1.00 [25]	1.00 [25]	1.19 [30]	.44 [11]	3.06 [78]	.44 [11]	.22 [6]	3.00 [76]	180 [20.3]
358292	3 Q3A282N	3/0 STR. (.470 [12]) - 4/0 STR. (.528 [13])	1	1.88 [48]	3.13 [80]	1.75 [44]	1.75 [44]	1.31 [33]	.56 [14]	4.31 [109]	.62 [16]	.25 [6]	3.19 [81]	250 [28.2]
30000587	Q3A284	3/0 STR. (.470 [12]) - 4/0 STR. (.528 [13])	2	1.88 [48]	2.00 [51]	1.00 [25]	1.00 [25]	1.31 [33]	.44 [11]	3.19 [81]	.44 [11]	.25 [6]	3.19 [81]	250 [28.2]
358300	3 Q3A284N	3/0 STR. (.470 [12]) - 4/0 STR. (.528 [13])	2	3.00 [76]	3.13 [80]	1.75 [44]	1.75 [44]	1.31 [33]	.56 [14]	4.31 [109]	.62 [16]	.25 [6]	3.19 [81]	250 [28.2]
358316	3 Q3A312N	250 Kcmil (.575 [15]) - 350 Kcmil (.681 [17])	1	2.38 [60]	3.13 [80]	1.75 [44]	1.75 [44]	1.69 [43]	.56 [14]	4.44 [113]	.62 [16]	.31 [8]	4.06 [103]	325 [36.7]
30000621	Q3A314	250 Kcmil (.575 [15]) - 350 Kcmil (.681 [17])	2	2.38 [60]	2.50 [64]	1.38 [35]	1.38 [35]	1.69 [43]	.44 [11]	3.81 [97]	.50 [13]	.31 [8]	4.06 [103]	325 [36.7]
358332	3 Q3A314N	250 Kcmil (.575 [15]) - 350 Kcmil (.681 [17])	2	3.00 [76]	3.13 [80]	1.75 [44]	1.75 [44]	1.69 [43]	.56 [14]	4.44 [113]	.62 [16]	.31 [8]	4.06 [103]	325 [36.7]
358348	3 Q3A342N	400 Kcmil (.728 [18]) - 500 Kcmil (.814 [21])	1	2.50 [64]	3.13 [80]	1.75 [44]	1.75 [44]	2.00 [51]	.56 [14]	4.69 [119]	.62 [16]	.38 [10]	4.56 [116]	375 [42.4]
30000623	Q3A344	400 Kcmil (.728 [18]) - 500 Kcmil (.814 [21])	2	2.50 [64]	2.62 [67]	1.38 [35]	1.38 [35]	2.00 [51]	.56 [14]	4.19 [106]	.56 [14]	.38 [10]	4.56 [116]	375 [42.4]
358364	3 Q3A344N	400 Kcmil (.728 [18]) - 500 Kcmil (.814 [21])	2	3.00 [76]	3.13 [80]	1.75 [44]	1.75 [44]	2.00 [51]	.56 [14]	4.69 [119]	.62 [16]	.38 [10]	4.56 [116]	375 [42.4]
30000625	Q3A404	600 Kcmil (.893 [23]) - 800 Kcmil (1.031 [26])	2	3.00 [76]	3.13 [80]	1.62 [41]	1.62 [41]	2.38 [60]	.56 [14]	4.94 [125]	.69 [18]	.44 [11]	5.50 [140]	500 [56.5]
358380	3 Q3A404N	600 Kcmil (.893 [23]) - 800 Kcmil (1.031 [26])	2	3.00 [76]	3.13 [80]	1.75 [44]	1.75 [44]	2.38 [60]	.56 [14]	4.94 [125]	.62 [16]	.44 [11]	5.50 [140]	500 [56.5]
358388	3 Q3A444N	850 Kcmil (1.062 [27]) - 1000 Kcmil (1.152 [29])	2	3.25 [83]	3.25 [83]	1.75 [44]	1.75 [44]	2.56 [65]	.56 [14]	5.19 [132]	.62 [16]	.50 [13]	5.88 [149]	500 [56.5]
30000627	Q3A464	1100 Kcmil (1.209 [31]) - 1500 Kcmil (1.412 [36])	2	3.50 [89]	3.75 [95]	2.00 [51]	2.00 [51]	2.94 [75]	.69 [18]	6.00 [152]	.75 [19]	.69 [18]	6.81 [173]	600 [67.8]
358281	3 Q3A464N	1100 Kcmil (1.209 [31]) - 1500 Kcmil (1.412 [36])	2	3.50 [89]	3.25 [83]	1.75 [44]	1.75 [44]	2.94 [75]	.56 [14]	5.50 [140]	.62 [16]	.69 [18]	6.81 [173]	600 [67.8]
30000629	Q3A484	1600 Kcmil (1.459 [37]) - 2000 Kcmil (1.631 [41])	2	4.00 [102]	4.25 [108]	2.25 [57]	2.25 [57]	3.25 [83]	.69 [18]	6.88 [175]	.88 [22]	.81 [21]	7.38 [187]	600 [67.8]
358485	3 Q3A484N	1600 Kcmil (1.459 [37]) - 2000 Kcmil (1.631 [41])	2	4.00 [102]	3.25 [83]	1.75 [44]	1.75 [44]	3.25 [83]	.56 [14]	5.88 [149]	.62 [16]	.81 [21]	7.38 [187]	600 [67.8]

REV	DATE	DESCRIPTION	ECO	BY	C'H'K.
B	11/02/2015 00:00:00 AM	ADD TORQUE, VOLTAGE RATING AND PROPER PART MARKING	42015	DD	NJS

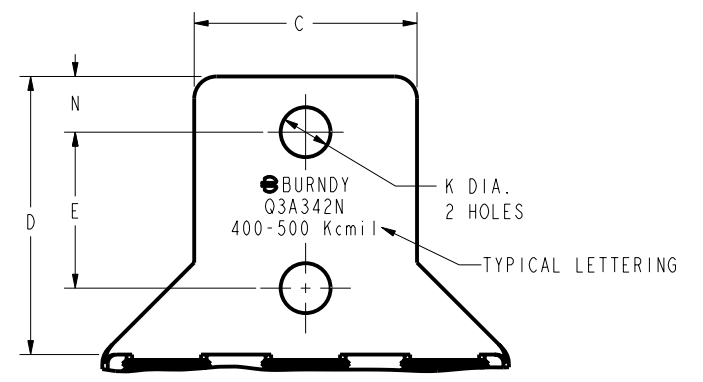


FIGURE 1

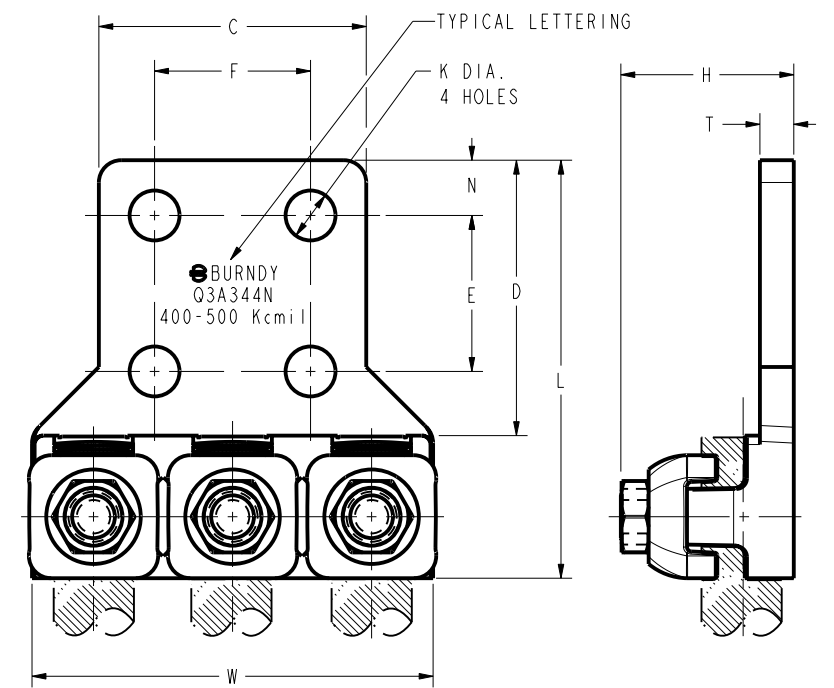


FIGURE 2

- NOTES:
- MATERIAL: CAST COPPER ALLOY.
 - DIMENSIONS IN BRACKETS [] ARE IN MILLIMETERS ROUNDED OFF TO THE NEAREST MILLIMETER, UNLESS OTHERWISE NOTED, AND ARE FOR REFERENCE ONLY.
 - HOLES FOR CATALOG NUMBER ENDING WITH SUFFIX 'N' CONFORMS TO NEMA STANDARDS.
 - 600 V TO 35 kV RATING.

SUPERSEDES: SD023313-02
SD006457-22

TO ORDER BURNDY® PRODUCTS CALL		QIKLUGS™	
UNITED STATES 1-800-346-4175 (LONDONDERRY, NH)		ITEM NO: SEE TABLE	
CANADA: 1-800-361-6975 (QUEBEC) 1-800-387-6487 (ALL OTHER PROVINCES)		CAT. NO: Q3A-- (SEE TABLE)	
FOR PRODUCT INFO: http://www.burndy.com		DRAWN BY: B.K 11/17/1950	
		CHECKER: --	
		DSN APPVL: --	
		MFG APPVL: --	
		QA APPVL: --	
		MKT APPVL: --	
		SCALE: 1:1	
		PROD FAM: CM&R_Mechanical	
		DRAWING NO	
		PROJECT #: --	
		SIZE	
		DOCUMENT TYPE: Sales	
		REL LEVEL: Released	
		SA006457-01	
		SHEET 1 OF 1	
		REV	
		B	

REV: PE0200