

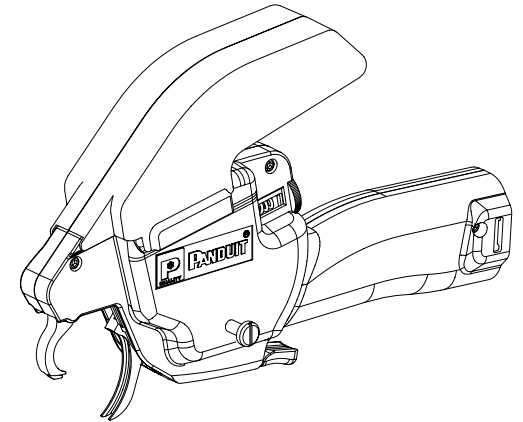
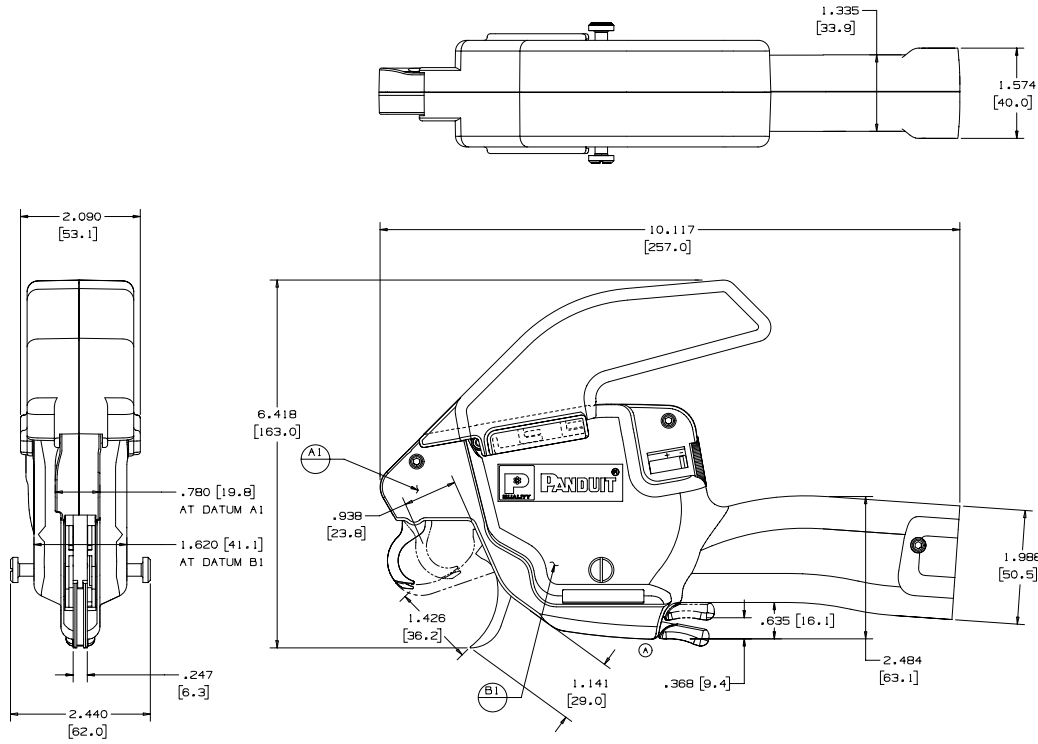
THIS COPY IS PROVIDED ON A RESTRICTED BASIS AND IS NOT TO BE USED IN ANY WAY DETRIMENTAL TO THE INTERESTS OF PANDUIT CORP.

NOTES, UNLESS OTHERWISE SPECIFIED:

EST. WT. 1.65 lb. (.75 kg) TOOL ONLY
 1.75 lb. (.79 kg) TOOL W/ TIP COLLECTOR.

MAXIMUM BUNDLE DIAMETER FOR PLT1M-XMR
 CABLE TIE: .82 INCHES

DIMENSIONS IN BRACKETS ARE MILLIMETERS,
 FOR REFERENCE ONLY.



R233826A_WT23382001_01									
PANDUIT CORP. ITALY PARK, ILLINOIS									
CD • PATIM									
UNLESS OTHERWISE SPECIFIED: DIMENSIONS ARE IN INCHES					UNLESS OTHERWISE SPECIFIED: DIMENSIONS ARE IN MILLIMETERS				
.001 .001 .001 .001 .001					.001 .001 .001 .001 .001				
01	3-18-99	RYB	DPN		PICTORIAL CHANGE (A)	3753	JFL	RYB	WT23382001
00	3-18-97	RYB	DPN		RLSD1	3753	JFL	DPN	WT23382001
REV	DATE	BY	CHK		DESCRIPTION	EN	A	CUST	SUP