

Project		Catalog #		Type	
Prepared by		Notes		Date	



Greengate

LK16 & LK32

LiteKeeper 16 & 32

Product Certification



Interactive Menu

- Order Information page 2
- Additional Resources page 3
- Wiring Diagrams page 4
- Connected Systems page 4
- Product Warranty

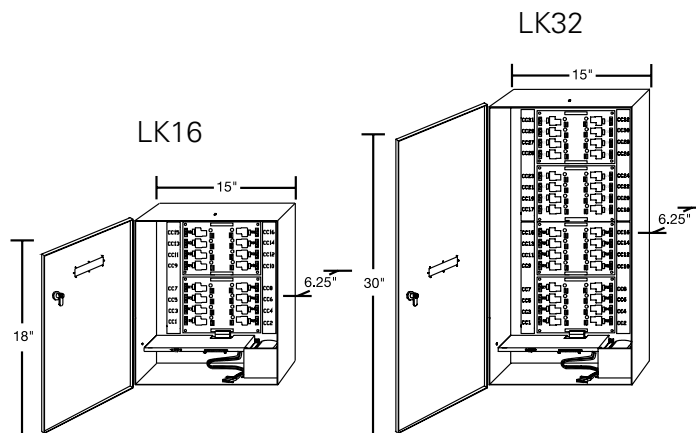
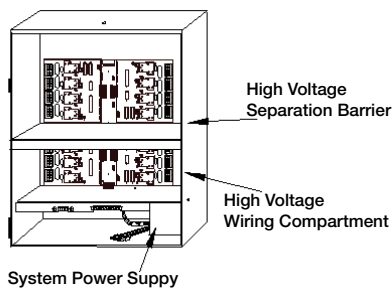
Top Product Features

- Capable of mixed load voltages (120/277/347 VAC) as well as mixed sources (i.e. normal and emergency power)
- Manual and programmable control of each relay via a simple keypad and 4 line LCD display
- Normally open, latched, and two pole parallel relays available
- Flush mount kit and voltage separation barrier available
- Capable of controlling receptacle loads

Dimensional and Mounting Details

Enclosure

High Voltage Barrier and Dividers



additional product diagrams

Order Information

SAMPLE ORDER NUMBER: **LK16, LK32**

All LiteKeeper lighting control panels require a Logic Board (LK-LB).

The logic board is shipped separately from the enclosure and is listed as a separate line item. When ordering any of the below models, you must also order the LK-LB.

Catalog Number	Description
LK16 LK16 FK LK32FK	LiteKeeper Logic Board (required per enclosure) LiteKeeper 16 size Flushmount Kit (option) LiteKeeper 32 size Flushmount Kit (option)

LK16	120/277	S1	L1	M0	T0	HVB1
Product Size	Voltage	# of SRC's	# of LRC's	# of MRC's	# of TPRC's	# of High Voltage Barriers
LK16= LiteKeeper 16 LK32= LiteKeeper 32	120/277 220/230 120/347	0-2 Cards = 16 Size 0-4 Cards = 32 Size (See XRC cut sheet)	0-2 Cards = 16 Size 0-4 Cards = 32 Size (See XRC cut sheet)	0-2 Cards = 16 Size 0-4 Cards = 32 Size (See XRC cut sheet)	0-2 Cards = 16 Size 0-4 Cards = 32 Size (See XRC cut sheet)	0-1 = 16 Size 0-3 = 32 Size Factory installed in the lowest location of the panel

Product Specifications

Enclosure

- NEMA 1 surface mount, lockable

Mechanical

Size:

- LK16: 18"H X 15"W X 6.25"D (up to 16 relays)
- LK32: 30"H X 15"W X 6.25"D (up to 32 relays)

Environment:

- Operating temperature: 32°F to 122°F (0°C to 50°C)

Transformer Ratings

Input Requirements:

- Multi-tapped 120/277 VAC internally fused standard
- Optional 347 VAC internally fused

Master Override

- ON/AUTO/OFF

Programming

- Onboard keypad and LCD display
- Optional PC Software

Standard Relay Ratings

- 20A, 120/277VAC per relay
- 10A, 120/277VAC electronic ballast, (LED)
- Normally open
- Max wire size: 10 AWG
- Mechanical operations: 10 million

Latching Relay Ratings

- 20A, 120/277VAC electronic ballast (LED)
- 15A, 347 VAC
- Maximum wire size: 6 AWG
- Mechanical operations: 10 million
- Provides a system SCCR rating of 10,000A

Two Pole Relay Ratings

- 20A, 208/240/480 VAC
- Normally open
- Maximum wire size: 6 AWG
- Mechanical operations: 10 million

Standards/Ratings

- UL 916 Listed
- UL 924 with RIM

Warranty

Five year warranty standard

or

Consult website for warranty information

Overview

The LiteKeeper stand-alone lighting control panel is an all-inclusive premium grade system for applications that would traditionally use a timeclock in conjunction with contactors. Control up to 32 relays per panel. Several relay options and more standard features than any other stand-alone panel on the market combine to create a state of the art stand-alone lighting control system.

System Includes:

- UL listed – UL 916 standard
- NEMA 1 enclosure
- 32 low voltage input connections
- Digital Switch Interface
- Time schedules with astronomic clock
- Prioritization and masking of switch inputs, time schedules and remotes
- Timed inputs
- Occupant warn-off and overrides
- Keypad and 4 line LCD display
- RS-232 port standard
- UL Listed - UL 924 with RIM
- Controls receptacle loads with latching relay card

Accessories:

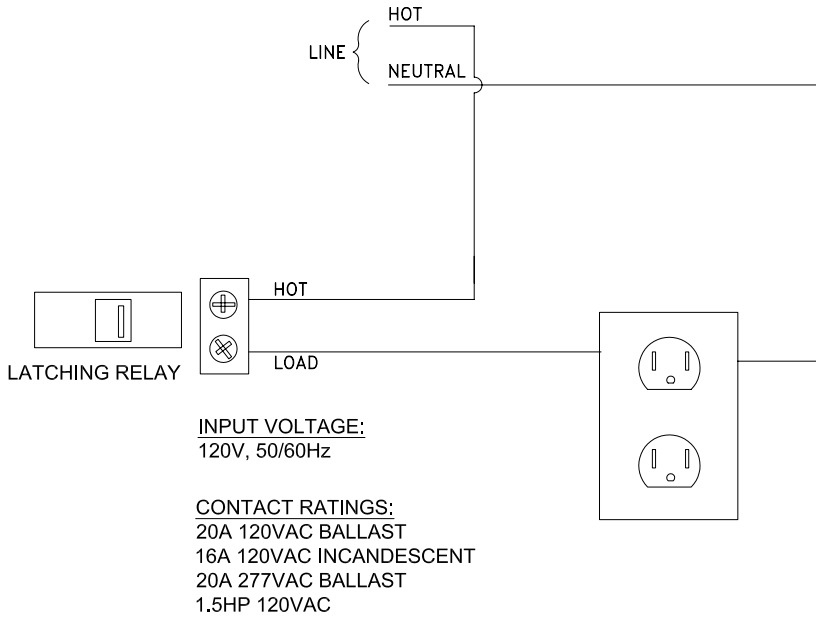
- Keeper Enterprise Software
- Ethernet Interface Module
- Greengate Digital Switch (GDS)
- Dry Contact Switches
- Contact Input Photosensor
- Occupancy Sensor
- Voltage Separation Barrier
- Flush Mount Kit
- CEPC (UL 924 Accessory)
- RRU

Wiring Diagrams

Latching Relay Receptacle Control

Control Systems

• Greengate



Sample One-Line

