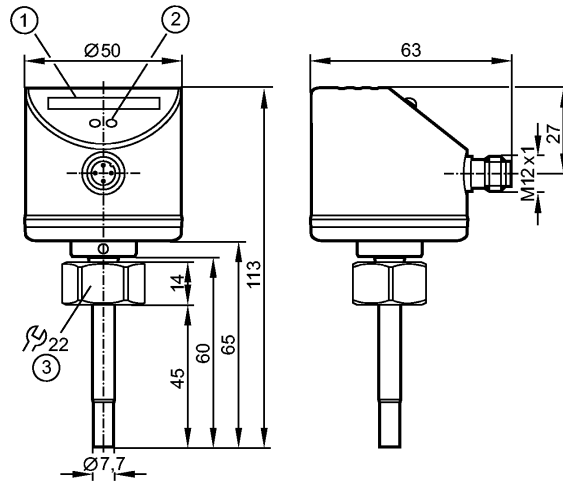


SI5000

SID10ABBFPKG/US-100

Flow sensors



- 1: LED display
- 2: setting pushbutton
- 3: tightening torque 25 Nm



Product characteristics

Flow monitor	
Compact type for adapter	
Process connection: internal thread M18 x 1.5 for adapter	
Probe length: 45 mm	
Setting range: 3...300 cm/s (liquids)	

Application

Application	liquids and gases
Pressure rating [bar]	30
Medium temperature [°C]	-25...80

Electrical data

Electrical design	DC PNP
Operating voltage [V]	19...36 DC
Current consumption [mA]	< 60
Protection class	III
Reverse polarity protection	yes

Outputs

Output function	normally open / closed programmable
Current rating [mA]	250
Voltage drop [V]	< 2.5
Short-circuit protection	yes (non-latching)
Overload protection	yes

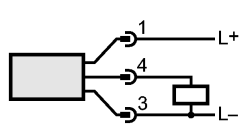
Measuring / setting range

Liquids		
Setting range [cm/s]		3...300
Greatest sensitivity [cm/s]		3...100
Gases		
Setting range [cm/s]		200...3000
Greatest sensitivity [cm/s]		200...800

SI5000

SID10ABBFPKG/US-100

Flow sensors

Accuracy / deviations		
Switch point accuracy	[cm/s]	± 2...± 10 *)
Hysteresis	[cm/s]	2...5 *)
Repeatability	[cm/s]	1...5 *)
Temperature drift	[cm/s x 1/K]	0.1 **)
Max. temperature gradient of medium	[K/min]	300
Reaction times		
Power-on delay time	[s]	10
Response time	[s]	1...10
Software / programming		
Adjustment of the switch point		pushbuttons
Environment		
Ambient temperature	[°C]	-25...80
Storage temperature	[°C]	-25...100
Protection		IP 67
Tests / approvals		
EMC		EN 61000-4-2 ESD: 4 kV CD / 8 kV AD EN 61000-4-3 HF radiated: 10 V/m EN 61000-4-4 Burst: 2 kV EN 61000-4-6 HF conducted: 10 V
Shock resistance		DIN IEC 68-2-27: 50 g (11 ms)
Vibration resistance		DIN EN 60068-2-6 20 g (55...2000 Hz)
MTTF	[Years]	298
Mechanical data		
Process connection		internal thread M18 x 1.5 for adapter
Materials (wetted parts)		stainless steel 316L / 1.4404; O-ring: FKM 8 x 1.5 gr 80° Shore A
Housing materials		stainless steel 316L / 1.4404; V2A / 301 / 1.4310; PC (polycarbonate); PBT-GF 20; EPDM/X
Probe length L	[mm]	45
Weight	[kg]	0.235
Displays / operating elements		
Function display	LED	10 LEDs, three-colour
Electrical connection		
Connection		M12 connector
Wiring 		
Remarks		
Remarks		*) for water; 5...100 cm/s; 25°C (factory setting) **) for water; 5...100 cm/s; 10...70°C
Pack quantity	[piece]	1

efector300[®]



SI5000

SID10ABBFPKG/US-100

Flow sensors

ifm efector, inc. • 1100 Atwater Drive • Malvern • PA 19355 — We reserve the right to make technical alterations without prior notice. — US — SI5000 — 09.07.2013