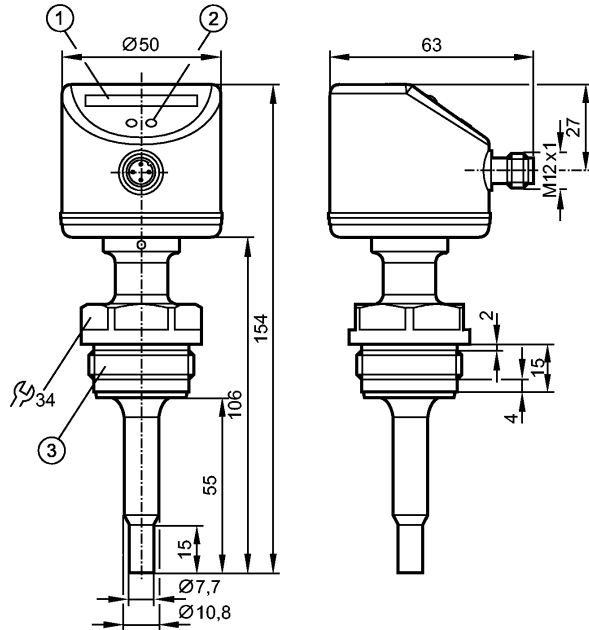


SI6800

SIR11ABBFPKG/US-100-IPF

Flow sensors



- 1: LED display
- 2: setting pushbutton
- 3: G1/Aseptoflex Vario thread



EC 1935/2004

Product characteristics	
Flow monitor	
Process connection: G 1 A / Aseptoflex Vario	
Probe length: 55 mm	
Setting range: 3...300 cm/s (liquids)	
Application	
Application	hygienic systems
Pressure rating [bar]	30
Medium temperature [°C]	-25...95 ***)
Electrical data	
Electrical design	DC PNP
Operating voltage [V]	19...36 DC
Current consumption [mA]	< 60
Protection class	III
Reverse polarity protection	yes
Outputs	
Output function	normally open / closed programmable
Current rating [mA]	250
Voltage drop [V]	< 2.5
Short-circuit protection	yes (non-latching)
Overload protection	yes
Measuring / setting range	
Liquids	
Setting range [cm/s]	3...300

SI6800

SIR11ABBFPKG/US-100-IPF

Flow sensors

Greatest sensitivity	[cm/s]	3...100
----------------------	--------	---------

Gases

Setting range	[cm/s]	200...3000
---------------	--------	------------

Greatest sensitivity	[cm/s]	200...800
----------------------	--------	-----------

Accuracy / deviations

Switch point accuracy	[cm/s]	$\pm 2... \pm 10$ *)
-----------------------	--------	----------------------

Hysteresis	[cm/s]	2...5 *)
------------	--------	----------

Repeatability	[% of Sr]	1...5 *)
---------------	-----------	----------

Temperature drift	[cm/s x 1/K]	0.1 **)
-------------------	--------------	---------

Max. temperature gradient of medium	[K/min]	300
-------------------------------------	---------	-----

Reaction times

Power-on delay time	[s]	10
---------------------	-----	----

Response time	[s]	1...10
---------------	-----	--------

Software / programming

Adjustment of the switch point	pushbuttons
--------------------------------	-------------

Environment

MAWP (for applications according to CRN)	[bar]	30
--	-------	----

Ambient temperature	[°C]	-25...60
---------------------	------	----------

Protection	IP 67 / IP 69K
------------	----------------

Tests / approvals

EMC	DIN EN 61000-6-2 DIN EN 61000-6-3
-----	--------------------------------------

Shock resistance	DIN EN 60068-2-27	50 g (11 ms)
------------------	-------------------	--------------

Vibration resistance	DIN EN 60068-2-6	10 g (55...2000 Hz)
----------------------	------------------	---------------------

MTTF	[Years]	298
------	---------	-----

Mechanical data

Process connection	G 1 A / Aseptoflex Vario
--------------------	--------------------------

Materials (wetted parts)	1.4435 (V4A / 316L); surface characteristics: Ra < 0.4 / Rz 4
--------------------------	---

Housing materials	stainless steel (316L / 1.4404); PC (polycarbonate); PBT-GF 20; EPDM/X; sealing: FKM
-------------------	--

Probe length L	[mm]	55
----------------	------	----

Weight	[kg]	0.43
--------	------	------

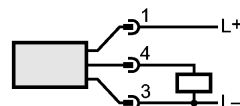
Displays / operating elements

Function display	LED	10 LEDs, three-colour
------------------	-----	-----------------------

Electrical connection

Connection	M12 connector; gold-plated contacts
------------	-------------------------------------

Wiring



**SI6800**

SIR11ABBFPKG/US-100-IPF

Flow sensors**Remarks**

Remarks	*) for water; 5...100 cm/s; 25°C (factory setting) **) for water; 5...100 cm/s; 10...70°C ***) ...140°C for SIP process
Pack quantity [piece]	1