

Pauluhn XPFXchange EP833 and EP834 wiring devices

Cl. I, Div. 1 & 2, Groups C, D
Conforms to IP66

11P

11P

Applications:

- Class I, Division 1 explosive atmospheres
- Alarm/warning indication
- Marine and watertight requirements
- Oil and gas exploration and production
- Fuel dispensing facilities

Features:

- Single throw two-pole snap switch
- Cast marine brass construction
- Heavy duty mounting pads
- Silicone lubricant provided for cover screws and flange
- Flametight, close tolerance threaded switch stem
- Available in 15 or 20 ampere units

Certifications and compliances:

- Class I, Divisions 1 & 2, Groups C, D
- UL1203
- Conforms to IP66
- ABS

Standard materials:

- Box and cover – cast marine brass
- Switch stem – free machining brass
- Hardware – stainless steel

Technical specifications:

- Entries – standard one 1/2" NPT outlet; up to four 3/4" NPT outlets available
- Switch – spring loaded two-pole single throw

Voltage and current ratings:

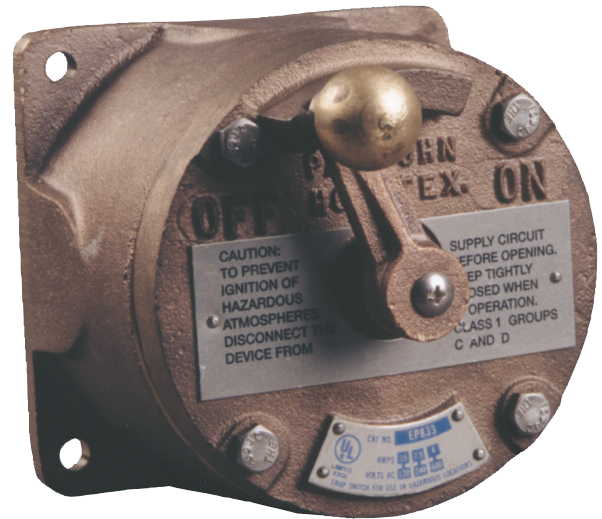
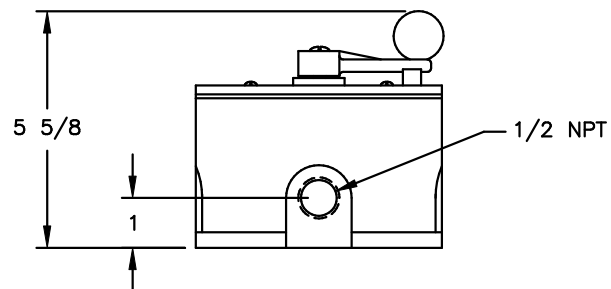
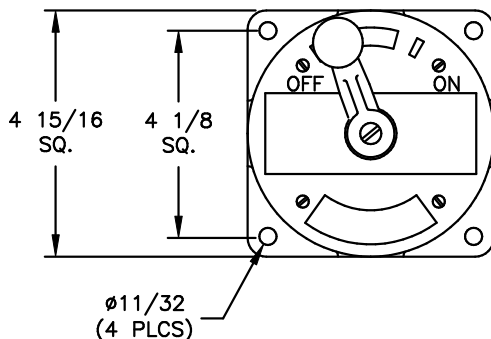
EP833 models

- 15 amperes, 125 VAC
- 10 amperes, 24 VDC
- 2 amperes, 125 VDC

EP834 models

- 20 amperes, 600 VAC
- 15 amperes, 24 VDC
- 5 amperes, 125 VDC

Dimensions (in inches):



Mounting options:

- Surface mount (via four 1/32" mounting bolts (not included))

Entry options:

NPT trade size	Dead end	Through feed	90°	X positions
1/2"	Std.	C1	L1	X1
3/4"	E2	C2	L2	X2

Ordering information:

Cat. #	Description	Weight (lbs.)
EP833	15A, 120 VAC	10.0
EP834	20A, 600 VAC	10.0