

powerswitch®

Stainless Steel Disconnect Switches

30/32A, 60A, 80A, 100A Non-Fused

Durable Construction.

- Overmold handle provides firm grip in wet environments
- Type 304 stainless steel resists corrosion, heat and abuse

Easy Installation.

- Removable door makes installation and servicing simple and quick

Sanitary Design.

- 3/4" standoff from mounting surface allows for easy cleaning
- NSF Certified and IP69K rated:

 Designed to meet hygiene requirements in food processing

 HI-TEMP • HI-PRESSURE
IP69K
WASHDOWN

Protects against the most extreme washdown procedures



leviton.com/disconnects

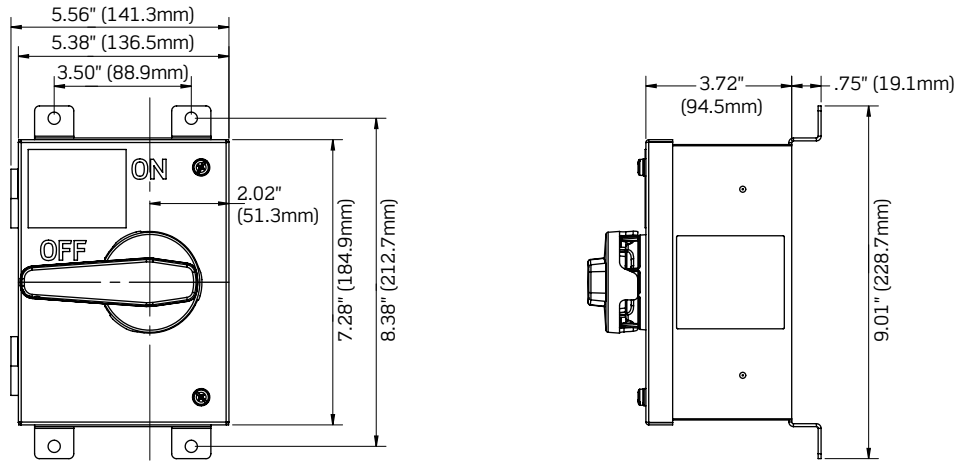
Specifications

Catalog Number	MDS3-AX	MDS6-AX	MDS8-AX	MDS1-AX	
Electrical Specifications					
Amperage	30A/32A	60A	80A	100A	
Max. Operating Voltage	600V	600V	600V	600V	
Max. Horsepower Rating	SINGLE PHASE	120 V AC; 2 HP	120 V AC; 2 HP	120 V AC; 2 HP	120 V AC; 7.5 HP
		208 to 240 V AC; 5 HP	208 to 240 V AC; 10 HP	208 to 240 V AC; 10 HP	220 to 240 V AC; 20 HP
		480 V AC; 5 HP	480 V AC; 20 HP	480 V AC; 20 HP	277 V; 25 HP
		600 V AC; 5 HP	600 V AC; 20 HP	600 V AC; 20 HP	440 to 480 V AC; 30 HP
	THREE PHASE	—	—	—	550 to 600 V AC; 30 HP
		208 to 240 V AC; 10 HP	208 to 240 V AC; 20 HP	208 to 240 V AC; 20 HP	110 to 120 V AC; 15 HP
		480 V AC; 20 HP	480 V AC; 40 HP	480 V AC; 40 HP	220 to 240 V AC; 40 HP
		600 V AC; 25 HP	600 V AC; 40 HP	600 V AC; 40 HP	440 to 480 V AC; 60 HP
—	—	—	550 to 600 V AC; 50 HP		
Current Interrupting	Certified for full-rated current and voltage				
Dielectric Voltage	1,000 V plus twice rated voltage for 1 minute				
Minimum Electrical Endurance	6,000 operation cycles at rated current and voltage				
Mechanical Endurance	20,000 Operations (10,000 Operation Cycles)				
Short Circuit Current Rating (SCCR)	Suitable for use on a circuit capable of delivering not more than 10 kA RMS symmetrical amperes, 600VAC max., when protected by 60A, class J fuses	Suitable for use on a circuit capable of delivering not more than 100 kA RMS symmetrical amperes, 600VAC max., when protected by 100A, class J or T fuses	Suitable for use on a circuit capable of delivering not more than 100 kA RMS symmetrical amperes, 600VAC max., when protected by 100A, class J or T fuses	Suitable for use on a circuit capable of delivering not more than 65kA RMS symmetrical amperes, 600VAC max., when protected by 100A, class J fuses	
Environmental Specifications					
Operating Temperature*	-40 °C to 75 °C				
UV Resistance	Exposed materials are UV stabilized				
Water/Moisture Resistance	NEMA /UL 50E Type 3R, 4X, 12, 13 • IP66, IP67, and IP68 • IP69K (per ISO 20653)				
Material Specifications					
Enclosure	16 Gauge Type 304 Stainless Steel				
Handle	Base: PBT • Overmold: TPE				
Enclosure Screws	Stainless Steel				
Enclosure Gasket	Polyurethane Formed-In-Place-Foam Gasket (FIPFG), UL 50E Approved				
Mounting Feet	14 Gauge Type 304 Stainless Steel				
Mechanical Specifications					
Terminal Identification	In accordance with UL and international conventions				
Product Identification	Identification and ratings are a part of internal and external label				
Terminal Accommodation	#14 - #8 AWG	#14 - #4 AWG	#14 - #4 AWG	#8 - #1/0 AWG	
Standards & Certifications					
NSF	14159-1 Hygenic Requirement for the Design of Meat & Poultry Processing Equipment				
NEMA	NEMA 250				
UL	cULus Listed to UL 60947-4-1 (supersedes UL 508) and CSA-C22.2 No. 60947-4-1	cULus Listed to UL 60947-4-1 (supersedes UL 508) and CSA-C22.2 No. 60947-4-1	cULus Listed to UL 60947-4-1 (supersedes UL 508) and CSA-C22.2 No. 60947-4-1	cULus Listed to UL 60947-4-1 (supersedes UL 508), UL 98 and CSA-C22.2 No. 60947-4-1	
NOM	NOM-ANCE Certified				
IEC	IEC 60529				
ISO	ISO 20653				
CE	CE Marked – Low Voltage Directive (LVD) 2014/35/EU				
Warranty					
Product Warranty	3 Year Limited Warranty				

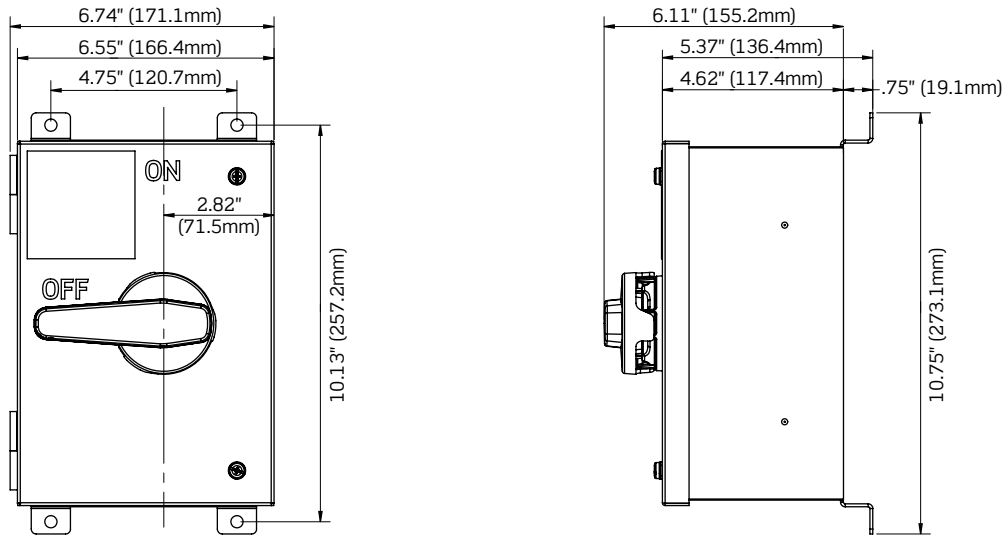
* Derating may apply

Dimensions

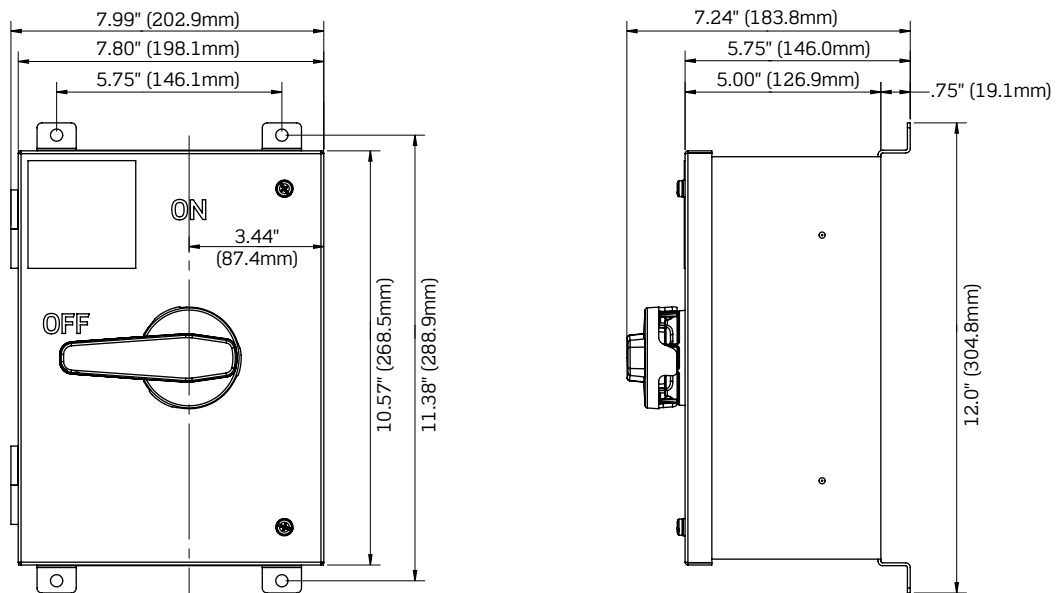
MDS3-AX



MDS6-AX & MDS8-AX



MDS1-AX



powerswitch®

Non-Fused Disconnect Switches in Stainless Steel Enclosures

Additional Features

- Watertight, submersible and dust-tight enclosures rated to IP66, IP67, IP68, IP69K, and UL 50E Type 3R, 4X, 12 and 13
- ON/OFF marking stamped into enclosure door for clear identification
- Door features captive, triple-head screws
- Soft grip handle accommodates three padlocks to meet OSHA 1910.147 lockout/tagout requirements



Ordering Information

Switch Amperage	Catalog Number
30/32A	MDS3-AX
60A	MDS6-AX
80A	MDS8-AX
100A	MDS1-AX



Accessories	Catalog Number
Auxiliary Contact, Normally Closed, 30/60/80A	AUXNC-NF
Auxiliary Contact, Normally Open, 30/60/80A	AUXNO
Replacement Overmold Handle	HNDLE
Replacement Solid PBT Handle	HNDLE-ALT
30A Replacement Non-Fused Switch	30ASW-NF
60/80A Replacement Non-Fused Switch	6080A-NF
30A Replacement Door, Handle Included	DOOR3
60A Replacement Door, Handle Included	DOOR6
80A Replacement Door, Handle Included	DOOR8
100A Replacement Door, Handle Included	DOOR1
Breather Drain/Drain Plug, IP67/NEMA 4X	DNPLG
Watertight Conduit Hub, 3/4", Stainless Steel	SSHUB

Available upon request:
100A Auxiliary Contacts
100A Replacement Non-Fused Switch

Visit our Website at:
www.leviton.com/disconnects
email: industrial@leviton.com

Q-1048A

Leviton Manufacturing Co., Inc.
201 N Service Rd, Melville, NY 11747
Telephone: 1-800-323-8920 • FAX: 1-800-832-9538
Tech Line (8:30AM-7:30PM E.S.T. Monday-Friday): 1-800-824-3005

© 2017 Leviton Manufacturing Co., Inc. All rights reserved.

072117

