

FEATURES & SPECIFICATIONS

INTENDED USE — The VT Series LED Volumetric Troffer combines the aesthetics and high performance with intelligent LED engines for applications - offices, schools, retail locations and hospitals. High-efficacy light engine delivers long life and excellent color, ensuring a superior quality lighting installation that is highly efficient and sustainable. Featured nLight controls system provides design flexibility and ease of installation and optimum energy savings.

CONSTRUCTION — Rugged, one-piece cold-rolled steel coated polyester, painted after fabrication with embossed facets. Impact-modified, single clear acrylic diffuser provides excellent shielding and wide distribution. End plates include integral T-bar clips. Fixture may be mounted and wired in continuous rows. Total fixture height is only 4-3/8".

OPTICS — Volumetric illumination is achieved by creating an optimal mix of light to walls, partitions, vertical and horizontal work surfaces — rendering the interior space, objects and occupants in a more balanced, complementary luminous environment. Linear faceted reflector cavity softens and distributes light into the space while minimizing luminous contrast between the fixture and ceiling. Sloped end plates provide a smooth, luminous transition between fixture and ceiling while enhancing the perception of fixture depth. Advanced optical film provides superior LED concealment and even illumination across the diffuser.

ELECTRICAL — Long-life LEDs, coupled with high-efficiency drivers, provide superior quantity and quality of illumination for extended service life. VT Series LED is rated to deliver L80 performance for 50,000 hours.

Optional embedded nLight® controls make each luminaire addressable - allowing it to digitally communicate with other nLight enabled controls such as dimmers, switches, occupancy sensors and photocontrols. Simply connect all the nLight enabled control devices and the VT Series LED luminaires using standard Cat-5 cabling. Unique plug-and-play convenience as devices and luminaires automatically discover each other and self-commission.

Lumen Management: Unique lumen management system (option N80) provides onboard intelligence that actively manages the LED light source so that constant lumen output is maintained over the system life, preventing the energy waste created by the traditional practice of over-lighting.

Driver disconnect provided where required to comply with US and Canadian codes.

Products with the 24V input option are EMerge Alliance® registered and will work in DC power applications, including with Armstrong DC FlexZone™ ceilings. When combined with alternate energy sources, such as solar panels and controls, this can contribute to a net zero energy building.

INSTALLATION — Unique grid interfacing arrangement provides mounting into standard 1" and 9/16" tee bar or screw slot grids. 9/16" allows fixture trim to hang level with architectural ceiling tiles. Drywall ceiling adaptors available. Suitable for damp location.

LISTINGS — CSA Certified to meet U.S. and Canadian standards.

Catalog Number
Notes
Type

For use with DC power ceiling grid system ONLY.

VT Series LED

2VTL

2' x 2'
LED



INDUSTRY RECOGNITION/AWARDS



WARRANTY — 5-year limited warranty. Complete warranty terms located at www.acuitybrands.com/CustomerResources/Terms_and_conditions.aspx

NOTE: Actual performance may differ as a result of end-user environment and application. All values are design or typical values, measured under laboratory conditions at 25°C. Specifications subject to change without notice.

ORDERING INFORMATION

Lead times will vary depending on options selected. Consult with your sales representative.

Example: 2VTL2 40L ADP 24V LP835

2VTL2		ADP					
Series	Air function	Lumens	Diffuser	Voltage	Color temperature	Controls	
2VTL2 Volumetric troffer 2X2 LED	(blank) Static H Heat removal	40L 4000 lumens ¹	ADP Acrylic linear prismatic	24V 24V ²	LP830 82CRI, 3000K LP835 82CRI, 3500K LP840 82CRI, 4000K LP850 82CRI, 5000K	(blank) No controls N80 nlight with 80% lumen management. N100 nlight without lumen management.	

Accessories: Order as separate catalog number.	
2VT2 F916	Trim to adjust fixture mounting flush with 9/16" T-bar; for 2x2 fixture

Performance Data			
Lumen Package	Lumens	Input Watts	LPW
40L	3900 - 4550	41.5	95 - 109

nLight® Control Accessories: Order as separate catalog number. Visit www.sensorswitch.com/nLight for complete listing of nLight controls.			
WallPod stations	Model number	Occupancy sensors	Model number
On/Off	nPODM [color]	Small motion 360°, ceiling (PIR / dual tech)	nCM 9 / nCM PDT 9
On/Off & Raise/Lower	nPODM DX [color]	Large motion 360°, ceiling (PIR / dual tech)	nCM 10 / nCM PDT 10
Graphic Touchscreen	nPOD GFX	Wall switch with raise/lower	nWSXPDTLVDX
Photocell controls	Model number	Cat-5 cable bundles (plenium rated)	Model number
On/Off & Dimming	nCM ADCX	10', 15 pieces per bundle	CAT5 10FT
		30', 15 pieces per bundle	CAT5 30FT

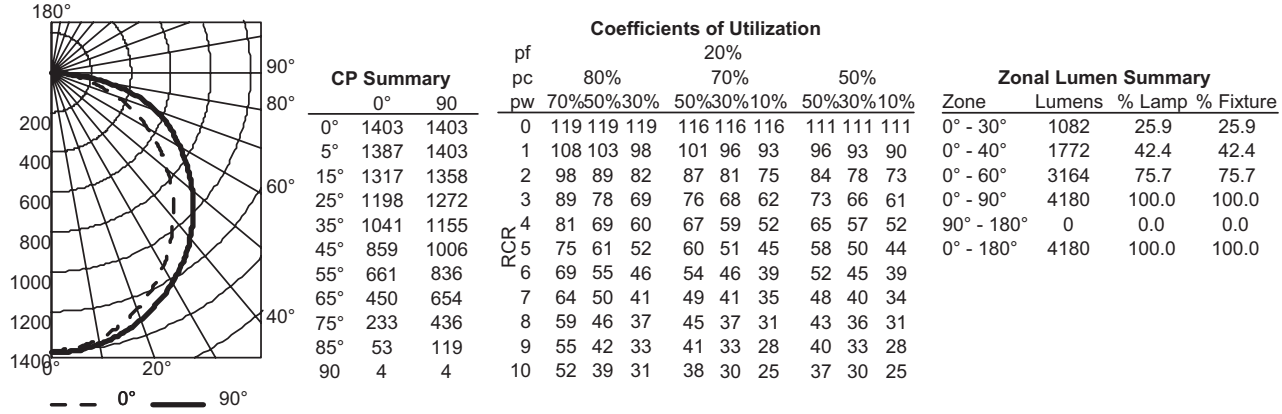
Notes

1. Approximate lumen output.
2. If paired with nLight® controls, switching of input power will be required for on/off functionality.

2VTL Volumetric Recessed Lighting 2'x2'

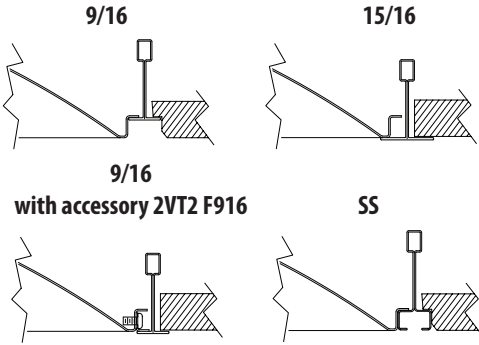
PHOTOMETRICS

2VTL2 40L ADP L835, 4,179 delivered lumens, test no. LTL24790P8, tested in accordance to IESNA LM-79



Contact factory for 4000K.

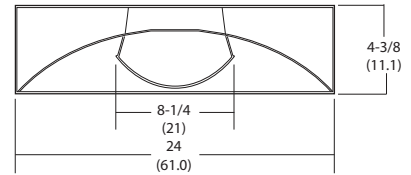
Mounting Data



Dimensions

All dimensions are inches (centimeters) unless otherwise specified.

- Specifications*
- Length: 24 (61.0)
 - Width: 24 (61.0)
 - Depth: 4-3/8 (11.1)
 - Weight: 27 lbs (12.2 kgs)



Constant Lumen Management

Enabled by the embedded nLight control, the VT Series LED actively tracks its run-time and manages its light source such that constant lumen output is maintained over the system life. Referred to as lumen management, this feature eliminates the energy waste created by the traditional practice of over-lighting.

