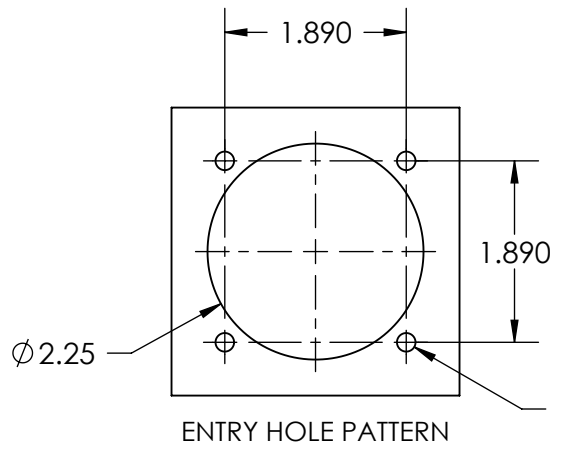
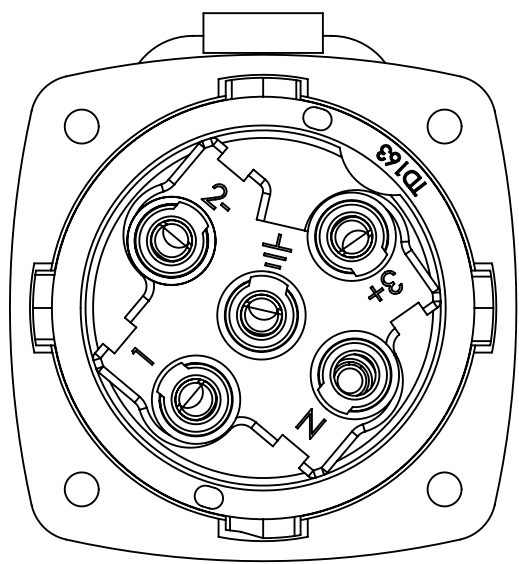
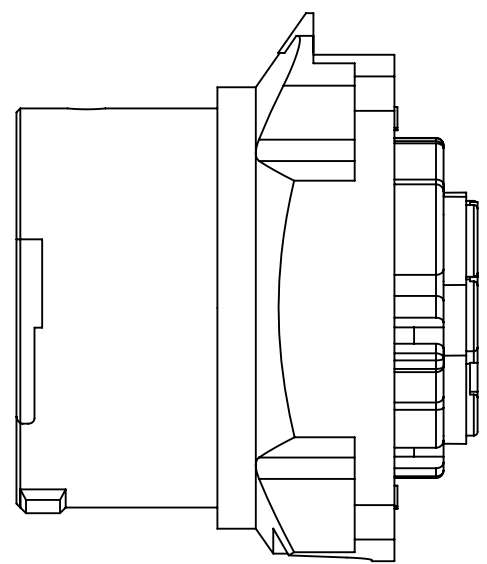
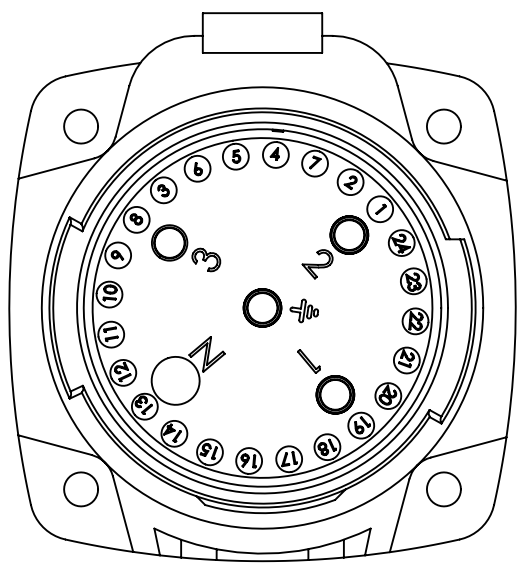
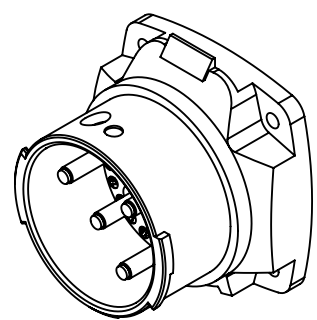

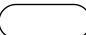


This drawing is the property of MELTRIC Corporation, Franklin (Milwaukee), Wisconsin, USA. Any unauthorized copying of this drawing by any means, ENG/RD/06 REV: 20 ISSUED DATE: 11/15/11 or disclosure of its contents to any person not authorized by MELTRIC Corporation or its agents to receive it, is strictly prohibited.



4X $\phi .194$
(CLEARANCE FOR
8-32 HARDWARE)



TOLERANCES UNLESS OTHERWISE SPECIFIED		 A COMPANY OF MARÉCHAL ÉLECTRIC	
MACHINED SURFACES $\sqrt{125} \text{ MAX}$	ENGLISH		
GROUND SURFACES $\sqrt{32} \text{ MAX}$	0.X ± 0.05	DRAWING TITLE: DSN30 INLET	
ANGLE TOLERANCE $\pm 1^\circ$	0.XX ± 0.01	DATE:	SCALE NTS
REMOVE BURRS & SHARP EDGES TO .015 MAX.	0.XXX ± 0.005	MATERIAL: BLUE POLY CASING	
 DIMENSIONS SHOWN IN OVALS ARE INSPECTION DIMENSIONS.		SHEET: 1 OF 1	PART NUMBER 63-38xxx
			REVISION