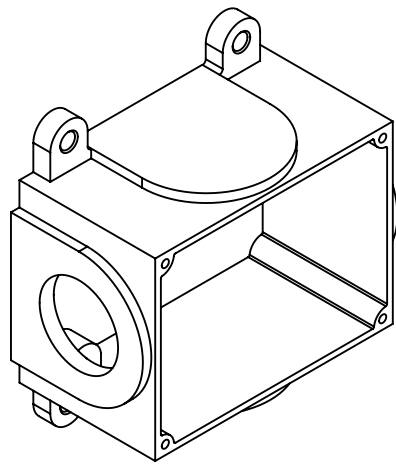
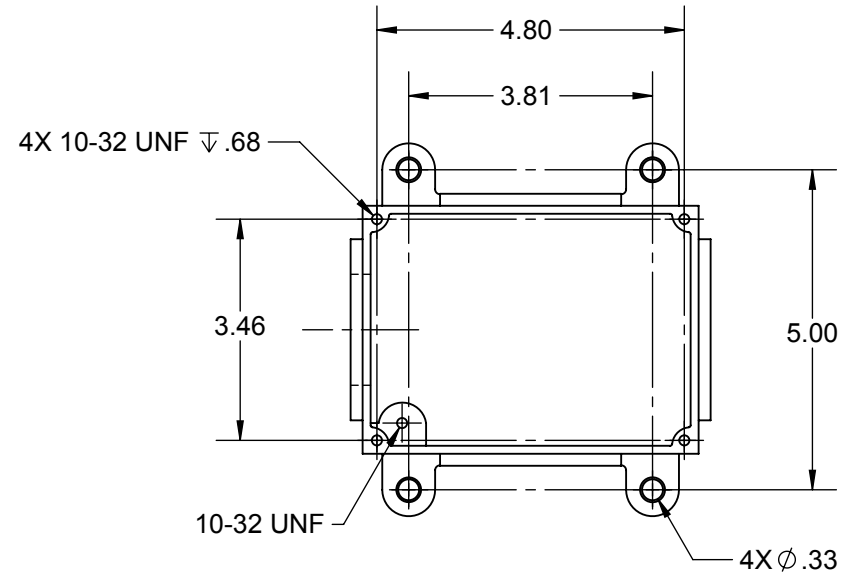
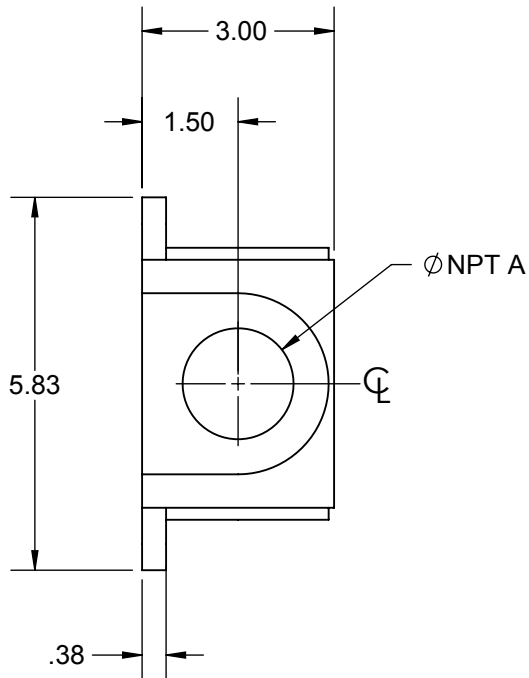
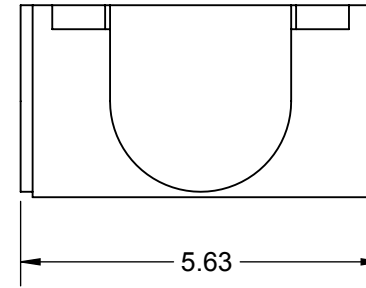


This drawing is the property of MELTRIC Corporation, Franklin (Milwaukee) Wisconsin, USA. Any unauthorized copying of this drawing by any means, ENG/RD/06 REV: 20 ISSUED DATE: 1/15/11 or disclosure of its contents to any person not authorized by MELTRIC Corporation or its agents to receive it, is strictly prohibited.



PART #	NPT SIZE A
MB61	1" NPT
MB6114	1-1/4" NPT
MB6112	1-1/2" NPT
MB62	2" NPT



TOLERANCES UNLESS OTHERWISE SPECIFIED			
MACHINED SURFACES $\sqrt[125]{MAX}$	ENGLISH		
GROUND SURFACES $\sqrt[32]{MAX}$	0.X ± 0.05	DRAWN: _____ APPROVED: _____ DRAWING TITLE: METAL JUNCTION BOX	
ANGLE TOLERANCE $\pm 1^\circ$	0.XX ± 0.01	DATE: _____	SCALE: NTS MATERIAL: PAINTED METAL
REMOVE BURRS & SHARP EDGES TO .015 MAX.	0.XXX ± 0.005	SHEET: 1 OF 1	PART NUMBER: MB6xxx REVISION: _____
DIMENSIONS SHOWN IN OVALS ARE INSPECTION DIMENSIONS.			