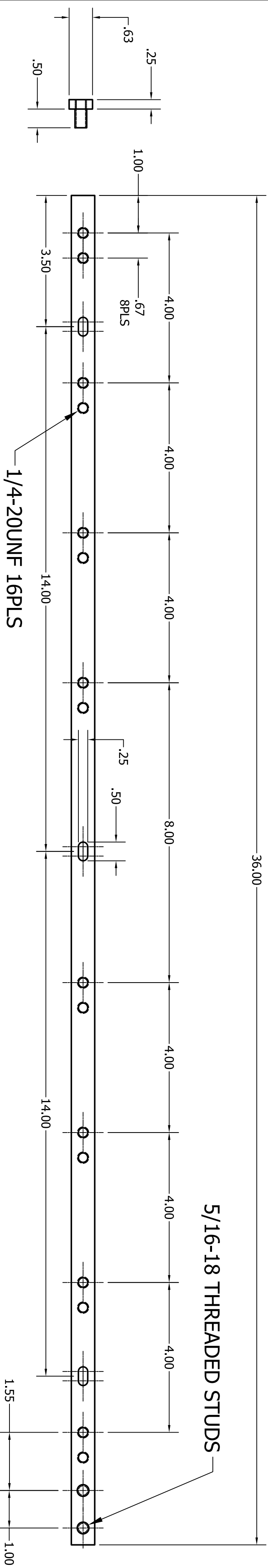


ITEM NO.	DESCRIPTION	QTY.
1	COPPER BUSBAR	1
2	#12-24 SS THREAD FORM SCREW (NOT SHOWN)	3
3	M6 SS THREAD FORM SCREW (NOT SHOWN)	3
4	1/4-20 SS THREAD FORM SCREW (NOT SHOWN)	16

CATALOG NUMBER	FINISH	DESCRIPTION
HBBVR36KT	BARE COPPER	.63"X36"X0.25" COPPER BUSBAR
HBBVR36KTTP	TIN PLATED	.63"X36"X0.25" COPPER BUSBAR



- NOTES:
1. SPECIFICATIONS SUBJECT TO CHANGE WITHOUT NOTICE.
 2. ALL BUSBARS ARE COPPER.
 3. UL AND cUL LISTED.

Created on AUTOCAD		DIMENSIONING AND TOLERANCE PER ANSI Y14.5M-1982 UNLESS OTHERWISE SPECIFIED, DIMENSIONS ARE IN INCHES (MM). TOLERANCES: .XX = ±.01 (.25) .XXX = ±.005 (.127) .XXXX = ±.0025 (.0635) ANGLE TOL ±1°		PROJECT REFERENCE: 2011-041		HUBBELL Hubbell Premise Wiring HUBBELL INCORPORATED (Delaware) 23 CLARA DRIVE, SUITE 103 MWSTIC, CT 06355	
IN ACCEPTING OUR DRAWINGS, BLUEPRINTS, OR SUPPORTING DOCUMENTATION FOR QUOTATION OR OTHER PURPOSES, YOU AGREE NOT TO DISCLOSE TO OTHERS THE IDEAS, INFORMATION, OR DESIGNS SHOWN HEREIN, AND THAT YOU WILL MAKE NO USE OF SAME WITHOUT PERMISSION		MATERIAL: SEE NOTES		DRAWN BY: C. GRIBBLE 5/23/12		TITLE: GROUNDING BUSBAR RACK MOUNT, VERTICAL	
REV. 1 17862 5/23/12		INITIAL RELEASE		CG		SIZE: DRAWING NO. C HWS13032C	
ECN DATE		DESCRIPTION		CHG BY APPD BY		SCALE: 1/1 SHEET 1 OF 1	
						REV. 1	