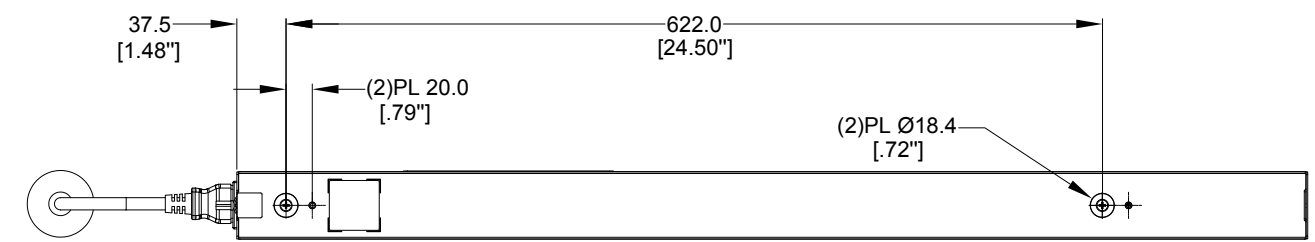
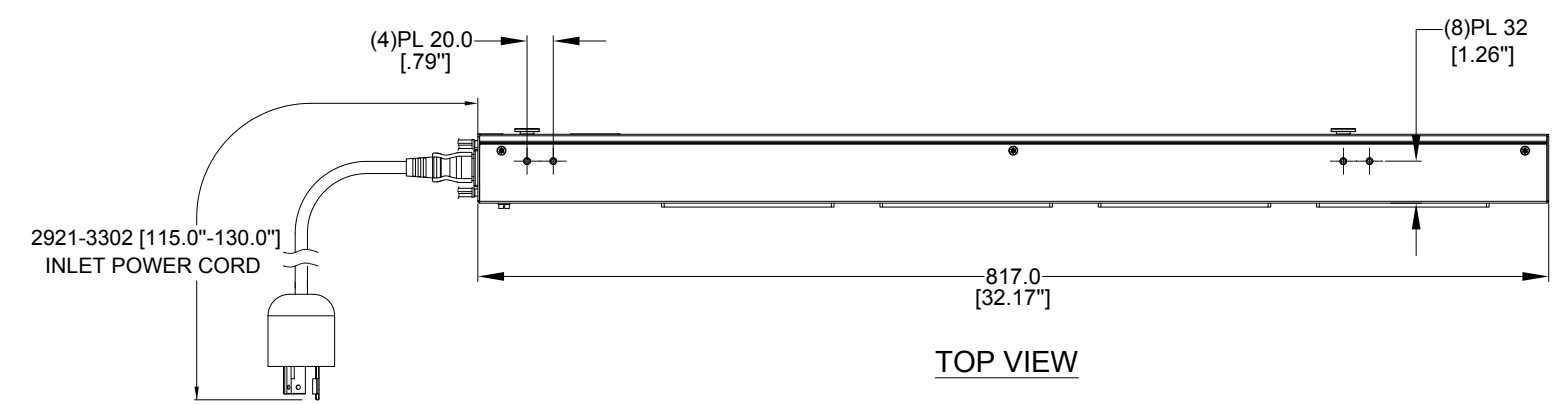


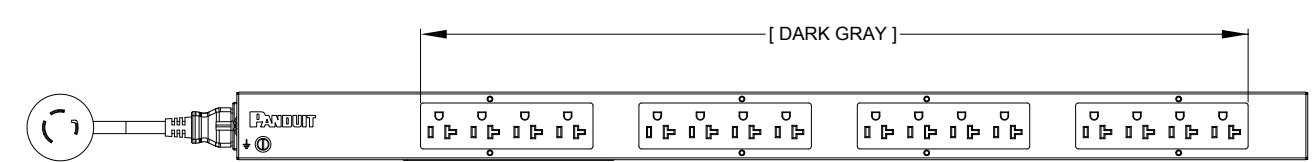
PANDUIT P/N	WEIGHT
P16B08M	2.0kg



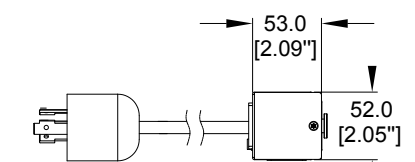
REAR VIEW



TOP VIEW



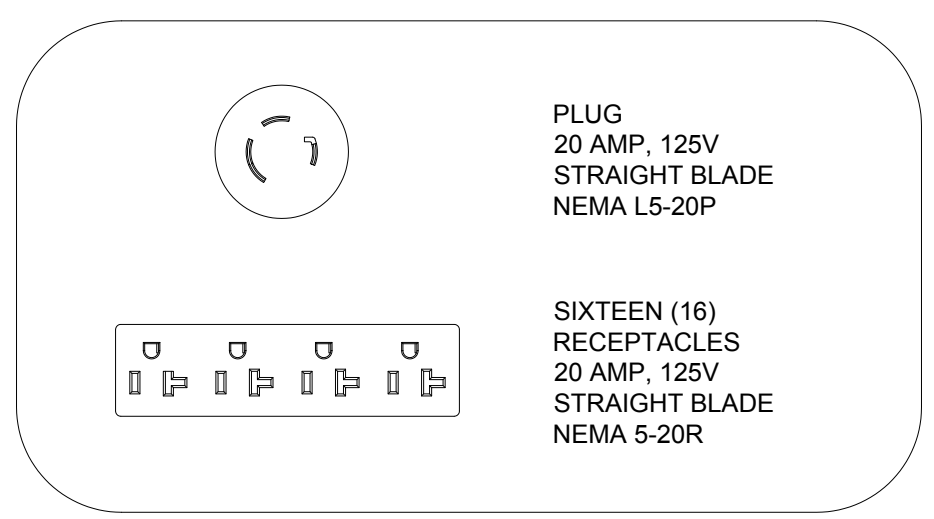
FRONT VIEW



SIDE VIEW

NOTES:

- IDENTIFICATION:
 - UNIT TYPE: BASIC
 - ORIENTATION: VERTICAL, HALF
 - OUTLET QTY&TYPE: (16) 5-20R
 - BREAKER QTY&TYPE: N/A
 - INPUT VOLTAGE: 100-120VAC
 - INPUT CURRENT: 20A (16A DERATED)
 - INPUT PHASE: SINGLE-PHASE
 - RATED POWER: 1.9kVA
 - INPUT PLUG: NEMA L5-20P
 - INPUT CORD LENGTH: 3m [10']
- ACCESSORIES:
 - POCKET GUIDE
- RoHS COMPLIANT
- VISIT PANDUIT'S ON-LINE CATALOG AT WWW.PANDUIT.COM FOR ADDITIONAL PRODUCT INFORMATION CONTAINED IN THE SPECIFICATION SHEET AS WELL AS A CURRENT LIST OF PRODUCTS APPLICABLE FOR USE WITH THIS PART
- MAXIMUM ALLOWABLE INPUT POWER = 1.9kW
- INSTALLATION SHALL COMPLY WITH ALL APPLICABLE NATIONAL, STATE, AND LOCAL CODES



REV	DATE	BY	CHK	APR	DESCRIPTION	ECN
01B	08/21/2017	HANSON	MIM	EDM	REVISED TOLERANCES	P16B08M
01A	06/28/2017	HANSON	MIM	EDM	INITIAL RELEASE	P16B08M

WE ASK THAT YOU CHECK FULLY THE DIMENSIONS, NOTES, AND SIGN THE CLIENT SIGNATURE BOX. THE JOB WILL NOT PROGRESS WITHOUT SIGNED APPROVAL. PLEASE DO NOT DELAY IN RETURNING PROOF AS IT WILL AFFECT DELIVERY		SIGN
		DATE
		PRINT
TITLE BASIC SERIES PDU P16B08M CUSTOMER DRAWING		
ITEM REVISION NAME		PANDUIT
DATASHEET FILE NAME:		
UNLESS OTHERWISE SPECIFIED DIMENSIONAL TOLERANCE ARE: mm [IN]		MATERIAL/COLOR: N/A
Tolerance(mm) 04<L<50 ±0.5 50<L<250 ±1.0 250<L<500 ±1.5 500<L<1000 ±2.5 1000<L<2000 ±4.0		DRAWING NUMBER: P16B08M_DC
THIRD ANGLE PROJECTION	DRAWN BY: DATE Hanson 05/24/2017	SCALE NONE
SHT 1 OF 1		SCALE B