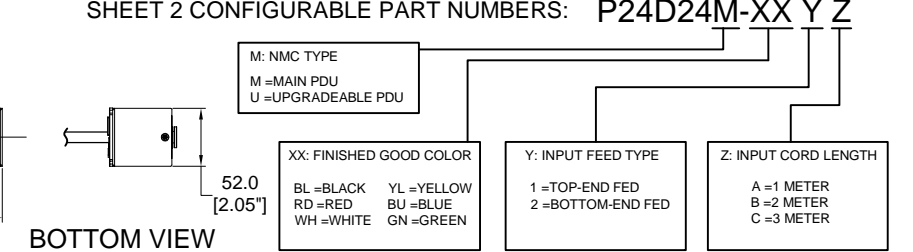
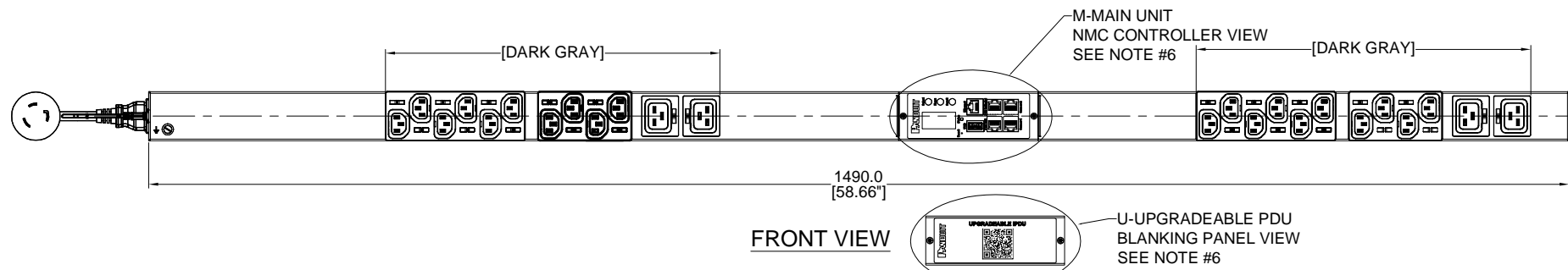
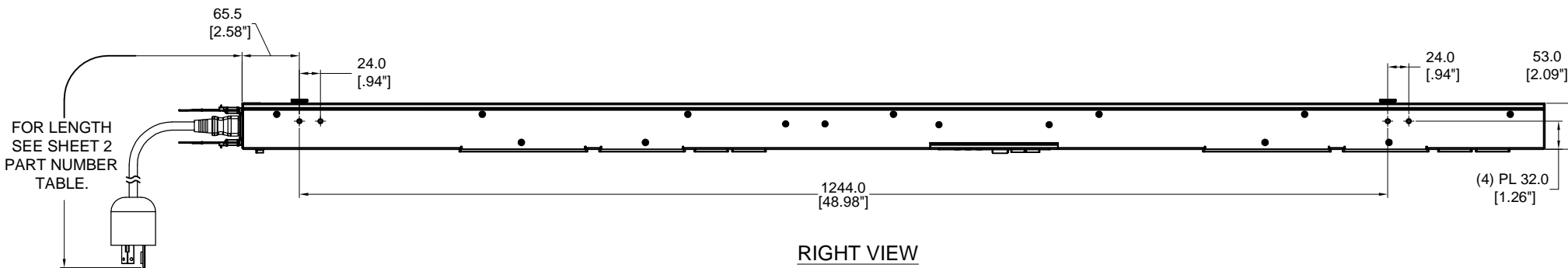
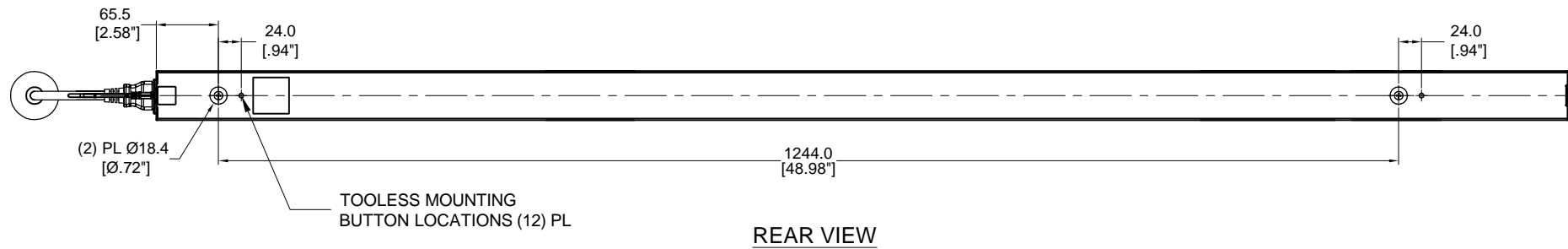
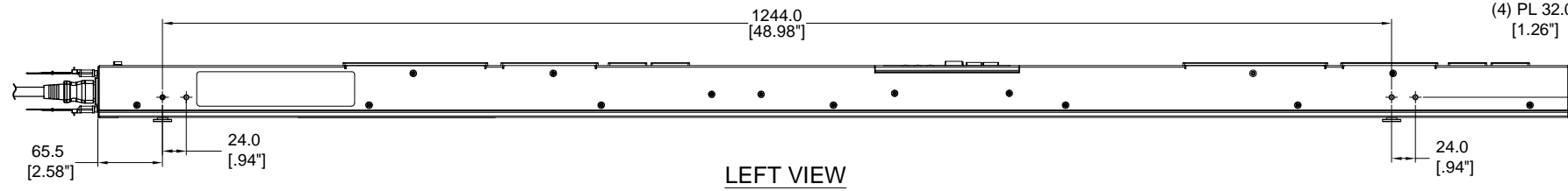


THIS COPY IS PROVIDED ON A RESTRICTED BASIS AND IS NOT TO BE USED IN ANY WAY DETRIMENTAL TO THE INTERESTS OF PANDUIT CORP.

| | |
|-------------|-------------|
| PANDUIT P/N | WEIGHT |
| SEE SHEET 2 | SEE SHEET 2 |



SPECIFICATION:

1. STANDARD:
- UNIT TYPE: SEE SHEET 2
 - ORIENTATION: VERTICAL, MID
 - OUTLET QTY & TYPE: (20) C13, (4) C19
 - INPUT VOLTAGE: 100-240VAC
 - INPUT CURRENT: 20A (16A DERATED)
 - BREAKER QTY & TYPE: N/A
 - INPUT PHASE: SINGLE-PHASE
 - RATED POWER: 3.3 KVA
 - INPUT PLUG: NEMA L6-20P
 - INPUT POWER CORD: SEE SHEET 2 FOR PART NUMBER TABLE
- REGULATORY STANDARD: RoHS COMPLIANT

2. ADDITIONAL: NONE
3. ACCESSORIES: (1) QUICK-START GUIDE

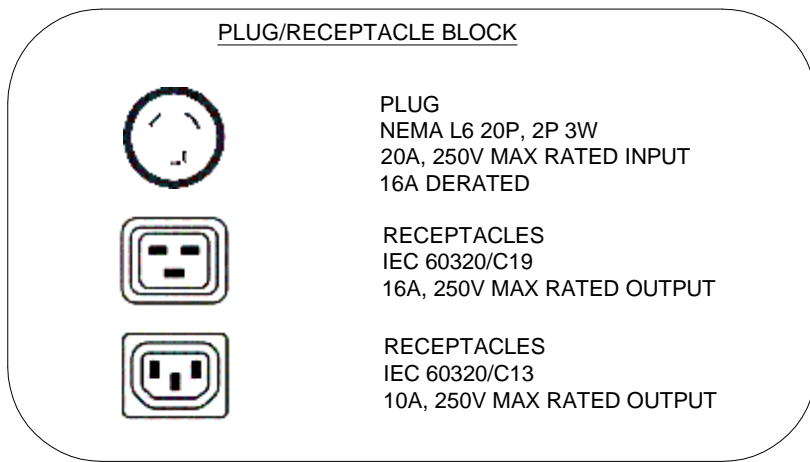
NOTES:

- PRIMARY DIMENSIONS ARE IN MILLIMETERS. SECONDARY DIMENSION ARE IN [INCHES]
- INSTALLATION SHALL COMPLY WITH ALL APPLICABLE NATIONAL, STATE, AND LOCAL CODES
- VISIT OUR ON-LINE CATALOG AT WWW.PANDUIT.COM FOR A CURRENT LIST OF PRODUCTS APPLICABLE FOR USE WITH THIS PART
- FOR FULL PRODUCT FUNCTIONALITY REFER TO USER MANUAL
- DRAWING VIEWS SHOW THE INPUT CORD IN THE "TOP END FED" CONFIGURATION
- PARTS USING UPGRADEABLE IPDU BLANKING PANEL CAN BE UPGRADED TO INTELLIGENT MODELS USING PANDUIT CONTROLLER PART NUMBER MA002

IDENTIFICATION

FOR FINISHED GOOD PART NUMBER & DESCRIPTION TABLE SEE SHEET 2 CONFIGURABLE PART NUMBERS: P24D24M-XX Y Z

| | | | |
|--|--|---|--|
| M: NMC TYPE M =MAIN PDU U =UPGRADEABLE PDU | XX: FINISHED GOOD COLOR BL =BLACK YL =YELLOW RD =RED BU =BLUE WH =WHITE GN =GREEN | Y: INPUT FEED TYPE 1 =TOP-END FED 2 =BOTTOM-END FED | Z: INPUT CORD LENGTH A =1 METER B =2 METER C =3 METER |
|--|--|---|--|



| REV | DATE | BY | CHK | APR | DESCRIPTION | ECN |
|-----|------------|------|-----|------|---|---------|
| 04A | 05/12/2022 | FYZ | MIM | MJD | 1. ADDED UPGRADEABLE PDU OPTION 2. REMOVED OBSOLETE SKU'S | P24D24M |
| 03A | 06/12/2020 | LWB | MIM | JAWI | UPDATED THE OUTLET DESIGN | P24D24M |
| 02A | 06/07/2018 | H.XU | MIM | JAWI | ADDED SHEET 2 WITH CONFIGURABLE PART NUMBER TABLE AND DESCRIPTION UPDATED IDENTIFICATION TO 1 INCLUDE CONFIGURABLE OPTION 'DE-CODER' | P24D24M |
| 01A | 07/17/2017 | WSJ | MIM | EDM | INITIAL RELEASE | P24D24M |

| | | |
|---|--------------------|-------------------------------|
| WE ASK THAT YOU CHECK FULLY THE DIMENSIONS, NOTES, AND SIGN THE CLIENT SIGNATURE BOX. THE JOB WILL NOT PROGRESS WITHOUT SIGNED APPROVAL. PLEASE DO NOT DELAY IN RETURNING PROOF AS IT WILL AFFECT DELIVERY. | | SIGN |
| | | DATE |
| | | PRINT |
| TITLE INTELLIGENT SERIES PDU P24D24M-XXYZ CUSTOMER DRAWING | | |
| ITEM REVISION NAME | | PANDUIT |
| DATASHEET FILE NAME: | | |
| UNLESS OTHERWISE SPECIFIED DIMENSIONAL TOLERANCE ARE: mm [IN] | | MATERIAL/COLOR: N/A |
| Tolerance (mm) 0<L<50 ±0.5 50<L<250 ±1.0 250<L<500 ±1.5 500<L<1000 ±2.5 1000<L<2000 ±4.0 | | DRAWING NUMBER: P24D24M_DC |
| DRAWN BY WSJ | DATE 07/17/2017 | SCALE NONE |
| CHK SEAN | | SHT 1 OF 2 |
| | | SCALE B |

