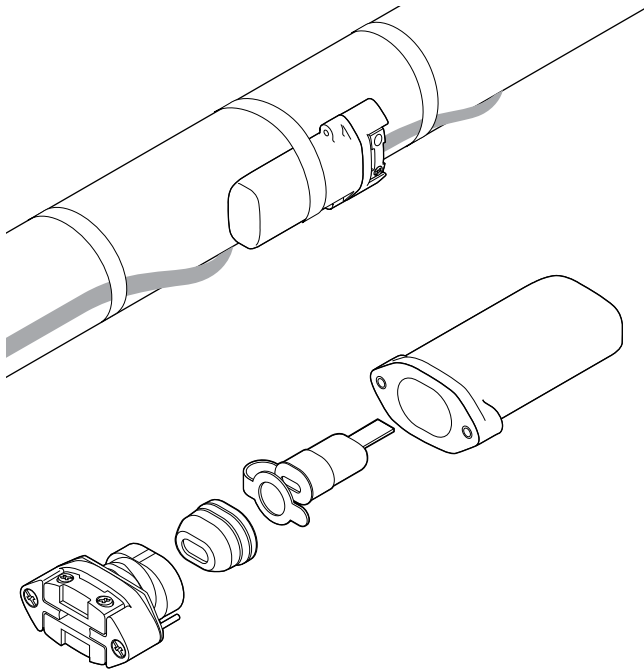


Raychem E-150

LOW-PROFILE END SEAL KIT



PRODUCT OVERVIEW

The E-150 is a cold-applied low-profile end seal. It is designed for use with the following Raychem brand heating cables: BTV, QTVR, XTV, and KTV. Use the E-150 in applications with temperatures ranging from -60°F to 420°F (-50°C to 215°C). It is approved by FM, CSA, and PTB for use in hazardous locations.

The unique design of the E-150 suits the demanding requirements of the industrial environment. The low-profile housing can be installed on pipes and other surfaces. A spring-loaded grommet makes a first seal to maintain a watertight connection, while the silicone-free, noncuring sealant used in the Raychem sealing boot adds a second seal, providing additional protection.

The rugged construction makes the E-150 resistant to impact and suitable for high-temperature and chemical exposure.

The end seal requires no heat source for installation and it is re-enterable, making maintenance fast and easy. Each kit contains all the necessary materials to do one end termination.

DESCRIPTION

Cold-applied end seal for use with BTV, QTVR, XTV and KTV heating cables

KIT CONTENTS

- 1 end seal enclosure housing
- 1 sealing grommet assembly
- 1 sealing boot
- 1 identification label

APPROVALS

Hazardous Locations



Class I, Div. 2, Groups A, B, C, D
Class II, Div. 2, Groups F, G
Class III



CL I, ZN2, AEx e II T⁽¹⁾



Ex e II T⁽¹⁾



II 2G Ex e II
II 2D Ex tD A21 IP66
PTB 09 ATEX 1068U

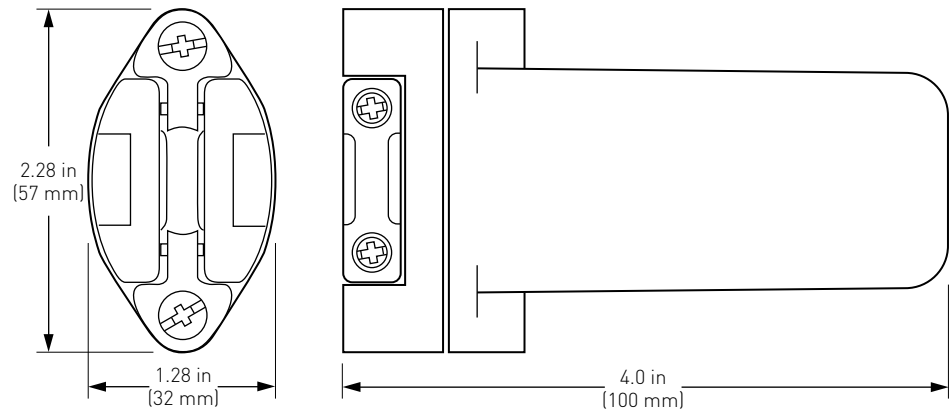


Ex e IIC T* Gb



IECEx PTB 09.0043U
Ex e II Ex tD A21 IP66

⁽¹⁾ For T-rating, see heating cable or design documentation

DIMENSIONS**PRODUCT SPECIFICATIONS**

Heating cable capability	BTV-CR, BTV-CT, QTVR-CT, XTV-CT, KTV-CT
Ingress protection	NEMA 4X (IP66)
Minimum installation temperature	-40°F (-40°C)
Minimum usage temperature	-60°F (-50°C)
Maximum pipe temperature	420°F (215°C)
Operating voltage	277 Vac for FM, CSA; 254 Vac for PTB

MATERIALS OF CONSTRUCTION

Enclosure, end plate, and shim	Engineered polymer, black
Sealing grommet and core sealer	Silicone rubber
Screws, compression spring, reinforcement plate	Stainless steel

ORDERING DETAILS

Catalog number	E-150
Part number	979099-000
Weight	0.6 lb (0.3 kg)



WWW.PENTAIRTHERMAL.COM

NORTH AMERICA

Tel: +1.800.545.6258
Fax: +1.800.527.5703
Tel: +1.650.216.1526
Fax: +1.650.474.7711
thermal.info@pentair.com

EUROPE, MIDDLE EAST, AFRICA

Tel: +32.16.213.511
Fax: +32.16.213.603
thermal.info@pentair.com

ASIA PACIFIC

Tel: +86.21.2412.1688
Fax: +86.21.5426.2937
cn.thermal.info@pentair.com

LATIN AMERICA

Tel: +1.713.868.4800
Fax: +1.713.868.2333
thermal.info@pentair.com

Pentair, BTV, QTVR, XTV, and KTV are owned by Pentair or its global affiliates. All other trademarks are the property of their respective owners. Pentair reserves the right to change specifications without prior notice.

© 2001–2016 Pentair.