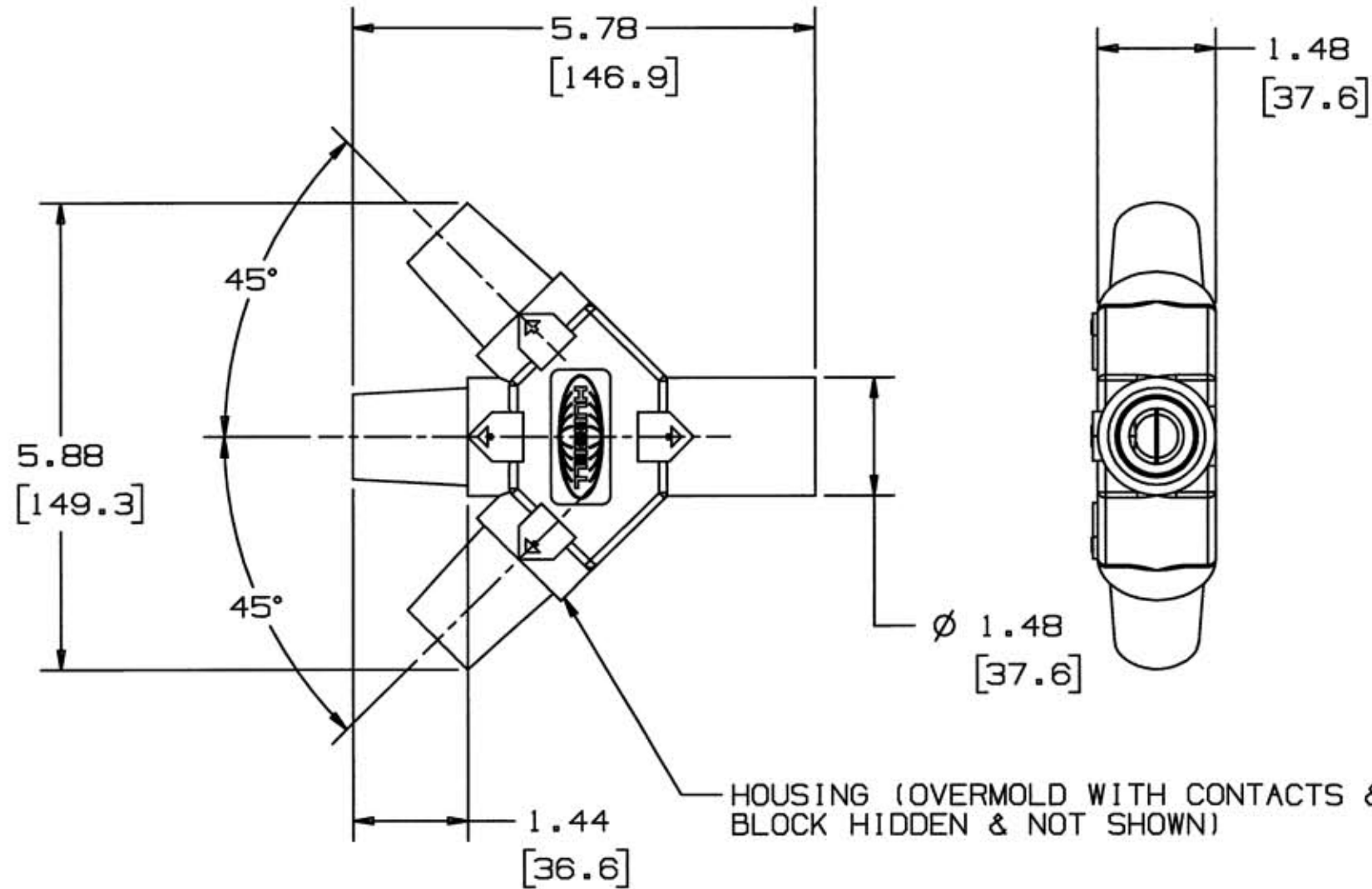


M-8936

2

3X FEMALE CONTACTS

3X RIVETS



HOUSING (OVERMOLD WITH CONTACTS & BLOCK HIDDEN & NOT SHOWN)

NOTES:

1. DIMENSIONS ARE INCHES $\pm .02$
[mm] $\pm .5$
2. RATING: 600VAC/250VDC 400 AMP
3. UL/c-UL ENCLOSURE TYPES 3R, 4X, 12,
SEE INSTRUCTION SHEET

HUBBELL CAT. NO.	COLOR
HBLM3FBK	BLACK
HBLM3FW	WHITE
HBLM3FGN	GREEN
HBLM3FR	RED
HBLM3FBL	BLUE
HBLM3FO	ORANGE
HBLM3FBN	BROWN
HBLM3FY	YELLOW

LIST OF PARTS

DESCRIPTION	MATERIAL	FINISH
HOUSING	TPE	SEE TABLE
FEMALE CONTACT	BRASS	
RIVET	BRASS	
MALE CONTACT	BRASS	
BLOCK	BRASS	

SYM	REVISIONS	APP	DATE
2	REMOVE $\phi 1.06$ [27.0] & $\phi 1.22$ [30.9] ADD $\pm .02$ & $\pm .5$ TO NOTE 1 CHANGED NOTE 3 PER DCN 11484 TwB	TwB	12/15/04
1	RELEASED PER DCN 10992 MJM TB	TwB	6/25/03

THE DESIGN AND DIMENSIONS OF THE PRODUCT SHOWN ON THIS DRAWING ARE SUBJECT TO CHANGE WITHOUT NOTICE

TITLE
SINGLE POLE TRI-TAP MALE/
FEMALE/FEMALE/FEMALE

TOLERANCES UNLESS OTHERWISE SPECIFIED	WIRING DEVICE-KELLEMS HUBBELL INCORPORATED BRIDGEPORT, CT	
FRACTIONS $\pm 1/64$	DR. BY MJM	APP. BY
DECIMALS $\pm .005$	TR. BY	SCALE 1/2
ANGLES $\pm 2'$	CHK'D BY	DATE 6/11/03

DIMENSION SHEET FOR CAT. NO. SEE TABLE

REPAIRABLE NON-REPAIRABLE

M-8936

2