

Installation & Maintenance Instructions

**3-WAY SOLENOID VALVES — NORMALLY OPEN,
NORMALLY CLOSED AND UNIVERSAL OPERATION
1/4 NPT — BRASS AND STAINLESS STEEL CONSTRUCTION**

BULLETIN

8320

Form No.V5688R3

DESCRIPTION

Bulletin 8320 valves are small 3-way solenoid valves with all three connections located in the body. Valve bodies are made of brass or stainless steel.

Standard valves have a Type 1, General Purpose Solenoid Enclosure. Valves may also be provided with an explosion-proof solenoid enclosure designed to meet Enclosure Type 3-Raintight, Type 7 (C & D)-Explosion-Proof Class I, Groups C & D and Type 9 (E, F, & G)-Dust Ignition-Proof Class II, Groups E, F, & G, and have a temperature range code of TC3. Installation and maintenance instructions for the explosion-proof solenoid enclosure are on Form No.V5380.

OPERATION

Normally Open (Pressure at 3)

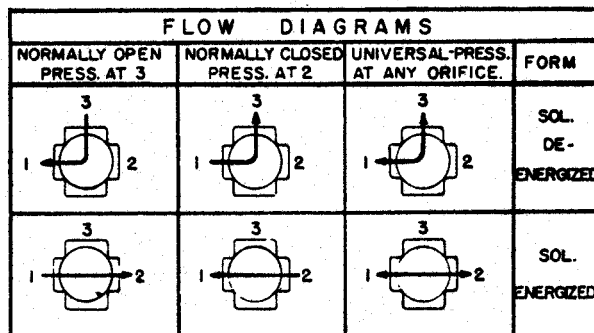
Applies pressure when solenoid is de-energized; exhausts pressure when solenoid is energized. When solenoid is de-energized, flow is from Port "3" to Port "1." Port "2" is closed. When solenoid is energized, flow is from Port "1" to "2." Port "3" is closed.

Normally Closed (Pressure at 2)

Applies pressure when solenoid is energized; exhausts pressure when solenoid is de-energized. When solenoid is de-energized, flow is from Port "1" to Port "3." Port "2" is closed. When solenoid is energized, flow is from Port "2" to Port "1." Port "3" is closed.

Universal (Pressure at 1, 2, or 3)

For normally closed or normally open operation, selection or diversion of pressure can be applied to Ports "1", "2", or "3."



Manual Operator (Optional)

Manual operator allows manual operation when desired or during an electrical power outage. Two types of manual operators are available - push type (Suffix MO) and screw type (Suffix MS). To operate valve manually with push type operator, push stem at base of valve body as far upward as possible. Valve will now be in the same position as when the solenoid is energized. Removing pressure from stem will release manual operator to original position. To operate valve with a screw type manual operator, rotate manual operator stem at base of valve body clockwise until it hits a stop. Valve will now be in the same position as when the solenoid is energized. Rotate manual operator stem fully counterclockwise before operating valve electrically.

INSTALLATION

Check nameplate for correct catalog number, pressure, voltage, frequency, and service.

Temperature Limitations

For maximum valve ambient and fluid temperatures, refer to chart below. Check catalog number prefix and watt rating on nameplate to determine the maximum temperatures. See example below chart.

Construction AC or DC	Catalog Number Prefix	Watts	Maximum Ambient Temp. °F	Maximum Fluid Temp. °F
AC	None, DA, or S	10.5	77	200
	DF, FT, or SF	10.5	122	200
	HT	10.5	140	200
DC	None, DP, or SP	16.7*	77	200
	None, FT, or HT	11.2*	77	150

* Catalog Nos. 8320A 170, 8320A 180, and 8320A 190 are limited to 140 °F fluid temperature.

EXAMPLES: For Catalog No. HT8320A201, AC construction with a watt rating of 10.5, the maximum ambient temperature is 140°F with a maximum fluid temperature of 200°F. For Catalog No. 8320A204, AC construction with a watt rating of 10.5, the maximum ambient temperature is 77°F with a maximum fluid temperature of 200°F.

Positioning

This valve is designed to perform properly when mounted in any position. However, for optimum life and performance, the solenoid should be mounted vertically and upright to reduce the possibility of foreign matter accumulating in the solenoid base sub-assembly area.

Mounting

For mounting dimensions of body boss (brass) or mounting brackets (optional on brass construction), refer to Figures 1, 2, and 3.

Piping

Connect piping to valve according to markings on valve body. Refer to flow diagrams provided. Apply pipe compound sparingly to male pipe threads only. If applied to valve threads, the compound may enter the valve and cause operational difficulty. Avoid pipe strain by properly supporting and aligning piping. When tightening the pipe, do not use valve or solenoid as a lever. Locate wrenches applied to valve body or piping as close as possible to connection point.

IMPORTANT: To protect the solenoid valve, install a strainer or filter, suitable for the service involved in the inlet side as close to the valve as possible. Clean periodically depending on service conditions. See ASCO Bulletins 8600, 8601, and 8602 for strainers.

Wiring

Wiring must comply with local codes and the National Electrical Code. Solenoid housings are provided with a 7/8" diameter hole to accommodate 1/2" conduit. On some constructions, a green grounding wire is provided. Use rigid metallic conduit to ground all enclosures not provided with a green grounding wire. To facilitate wiring, the enclosure may be rotated 360° by removing the retaining cap or clip. **WARNING:** When metal retaining clip disengages, it will spring upward. Rotate enclosure to desired position. Then replace retaining cap or clip before operating.

NOTE: Alternating current (AC) and direct current (DC) solenoids are built differently. To convert from one to the other, it is necessary to change the complete solenoid, including the solenoid base sub-assembly and core assembly.

© **ASCO**

MM

All Rights Reserved.

Printed in U.S.A.

Page 1 of 4

50 Hanover Road, Florham Park, New Jersey 07932 www.ascovalue.com

Solenoid Temperature

Standard catalog valves are supplied with coils designed for continuous duty service. When the solenoid is energized for a long period, the solenoid enclosure becomes hot and can be touched by hand only for an instant. This is a safe operating temperature. Any excessive heating will be indicated by the smoke and odor of burning coil insulation.

MAINTENANCE

NOTE: It is not necessary to remove the valve from the pipeline for repairs. **WARNING:** Turn off electrical power supply and depressurize valve before making repairs.

Cleaning

All solenoid valves should be cleaned periodically. The time between cleanings will vary depending on the medium and service conditions. In general, if the voltage to the coil is correct, sluggish valve operation, excessive noise, or leakage will indicate that cleaning is required. Clean valve strainer or filter when cleaning the valve.

Preventive Maintenance

1. Keep the medium flowing through the valve as free from dirt and foreign material as possible.
2. While in service, the valve should be operated at least once a month to insure proper opening and closing.
3. Depending on the medium and service conditions, periodic inspection of internal valve parts for damage or excessive wear is recommended. Thoroughly clean all parts. Replace worn or damaged parts. However, for best results, replace all parts as supplied with an ASCO Rebuild Kit.

Causes Of Improper Operation

1. **Faulty Control Circuits:** Check the electrical system by energizing the solenoid. A metallic "click" signifies that the solenoid is operating. Absence of the "click" indicates loss of power supply. Check for loose or blown fuses, open circuited or grounded coil, broken lead wires or splice connections.
2. **Burned-Out Coil:** Check for open-circuited coil. Replace coil as necessary. Check supply voltage; it must be the same as specified on nameplate.
3. **Low Voltage:** Check voltage across the coil lead. Voltage must be at least 85% of nameplate rating.
6. **Incorrect Pressure:** Check valve pressure. Pressure to valve must be within range specified on nameplate.
5. **Excessive Leakage:** Disassemble valve (see Maintenance) and clean all parts. Replace worn or damaged parts. However, for best results, replace all parts as supplied with an ASCO Rebuild Kit.

Coil Replacement (Refer to Figures 4 and 5)

WARNING: Turn off electrical power supply.

1. Disconnect coil lead wires.
2. Remove retaining cap or clip, nameplate and housing. **WARNING:** When metal retaining clip disengages, it will spring upward.
3. Remove spring washer, insulating washer, coil, insulating washer, ground wire terminal (if present) from solenoid base sub-assembly. Insulating washers are omitted when a molded coil is used.
4. Reassemble in reverse order of disassembly. Use exploded view provided for identification and placement of parts.

CAUTION: The solenoid must be fully reassembled because the housing and internal parts complete the magnetic circuit. Be sure to replace insulating washer at each end of the non-molded coil.

Valve Disassembly (Refer to Figures 4 and 5)

WARNING: Depressurize valve and turn off electrical power supply.

1. Disassemble valve in an orderly fashion. Use exploded views for identification and placement of parts.
2. If necessary, disconnect coil lead wires, grounding wire (if present), and rigid conduit from solenoid housing.
3. Remove retaining cap or clip and slip the entire solenoid enclosure off the solenoid base sub-assembly. **WARNING:** When metal retaining clip disengages, it will spring upward.
4. Unscrew solenoid base sub-assembly from valve body.
5. Remove core assembly, core spring, core guide (AC construction only), and solenoid base gasket.
6. Unscrew end cap (or manual operator assembly) and remove end cap gasket, disc holder spring, and disc holder sub-assembly.
7. All parts are now accessible to clean or replace. Replace worn or damaged parts. However, for best results, replace all parts as supplied with an ASCO Rebuild kit.

Valve Reassembly

1. Reassemble in reverse order of disassembly. Use exploded views for identification and placement of parts.
2. Lubricate all gaskets with DOW CORNING® 111 Compound lubricant or an equivalent high-grade silicone grease. For stainless steel valve constructions, apply a small amount of LOCTITE® PST® pipe sealant (ASCO No. 208-832-11) to male threads of end cap (or manual operator assembly). Pipe sealant supplied in ASCO Rebuild Kits.

3. Replace disc holder sub-assembly, disc holder spring, end cap gasket, and end cap (or manual operator assembly). For brass construction, torque end cap to 175 ± 25 inch-pounds ($19,8 \pm 2,8$ newton-meters). For stainless steel, torque end cap to 90 ± 10 inch-pounds ($10,2 \pm 1,1$ newton-meters).
4. Replace solenoid base gasket, core assembly, core spring, core guide (on AC construction only), and solenoid base sub-assembly. Torque solenoid base sub-assembly to 175 ± 25 inch-pounds ($19,8 \pm 2,8$ newton-meters).
5. Replace solenoid enclosure and retaining cap or clip.
6. Restore line pressure and electrical power supply to valve.
7. After maintenance is completed, operate the valve a few times to be sure of proper operation. A metallic "click" signifies the solenoid is operating.

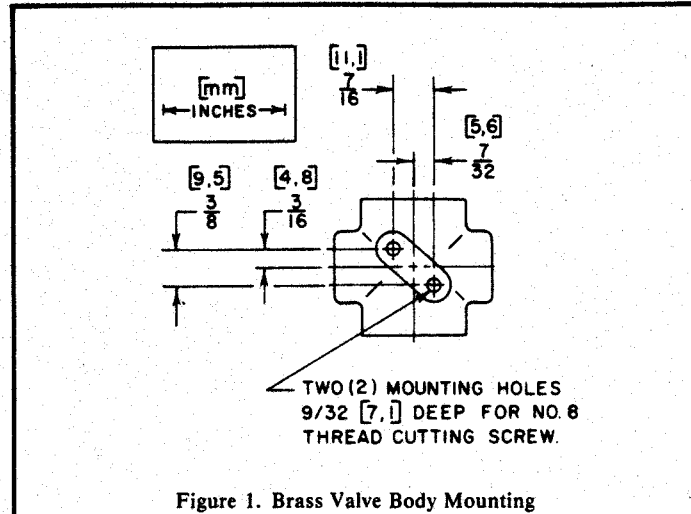


Figure 1. Brass Valve Body Mounting

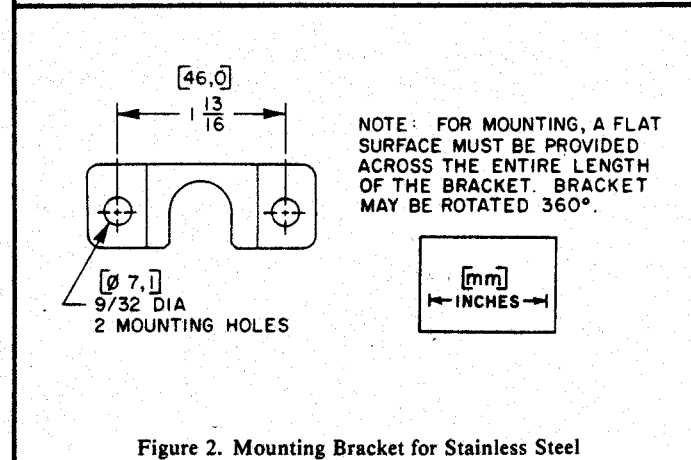


Figure 2. Mounting Bracket for Stainless Steel

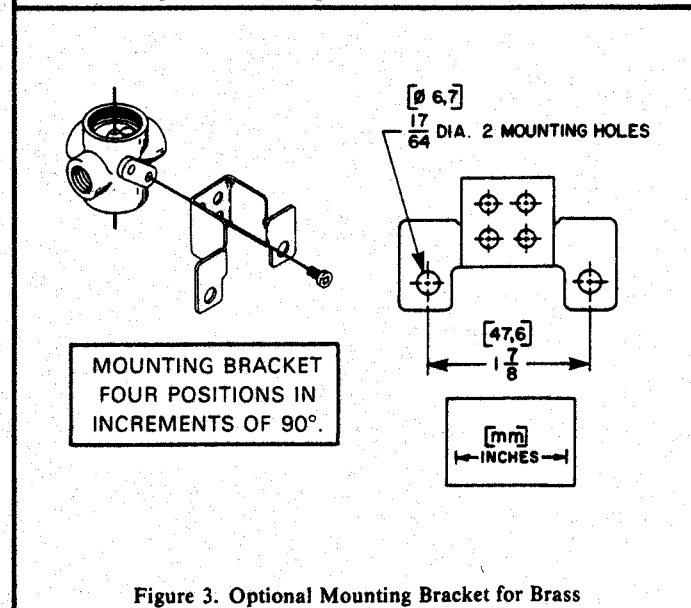


Figure 3. Optional Mounting Bracket for Brass

**ORDERING INFORMATION
FOR ASCO REBUILD KITS AND COILS**

Parts marked with an asterisk (*) in the exploded view are supplied in Rebuild Kits.

- When Ordering Rebuild Kits for ASCO valves, order the Rebuild Kit number stamped on the valve nameplate.+
- When Ordering Coils for ASCO valves, order the number stamped on your coil.+

+ If the number of the Rebuild Kit or the Coil is not visible, order them and specify your valve's Catalog Number, Serial Number, Voltage, and Frequency.

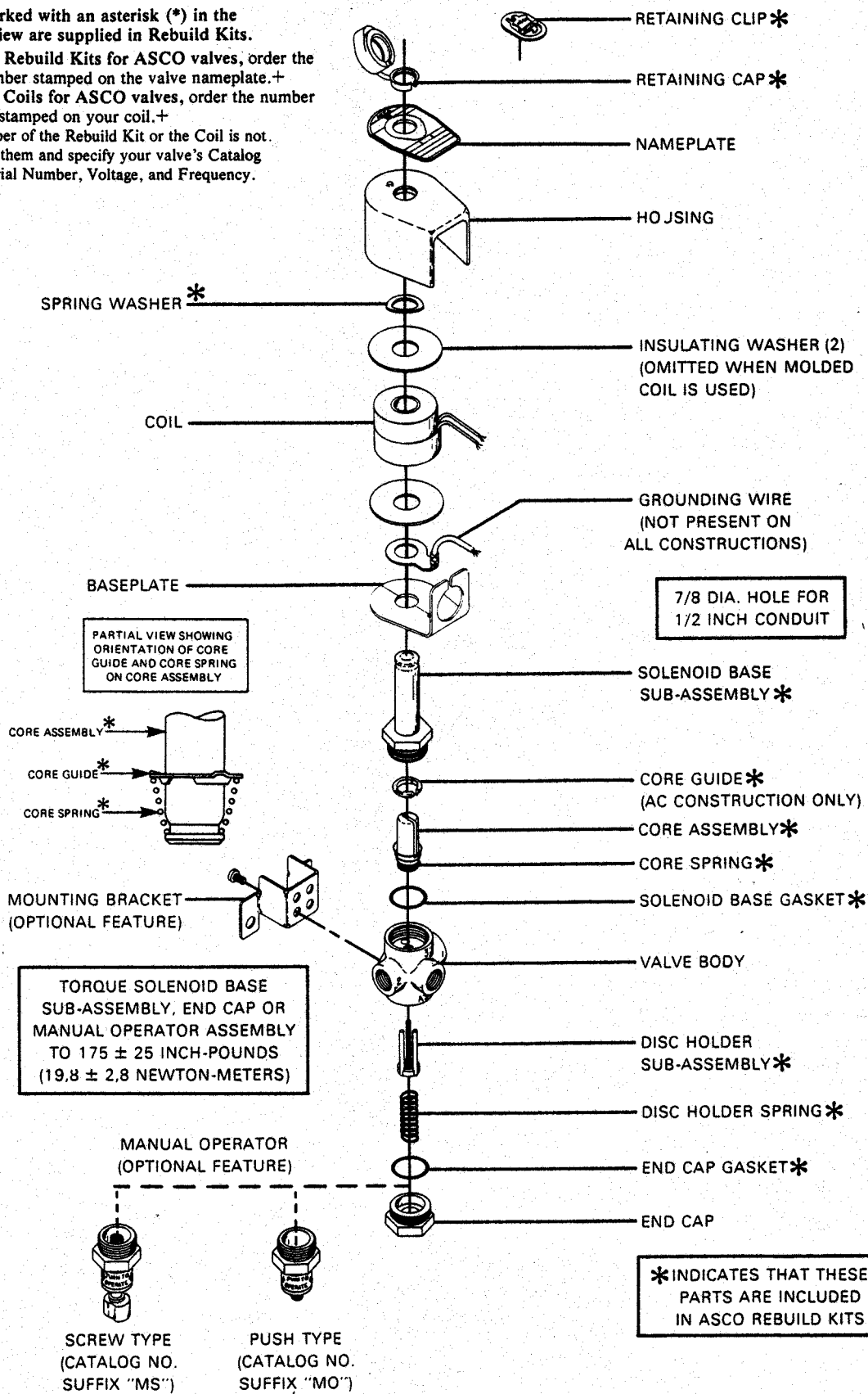


Figure 4. Bulletin 8320, Brass Construction
With General Purpose Solenoid Enclosure Shown
For Explosion-Proof Solenoid Enclosure, See Form No.V5380.

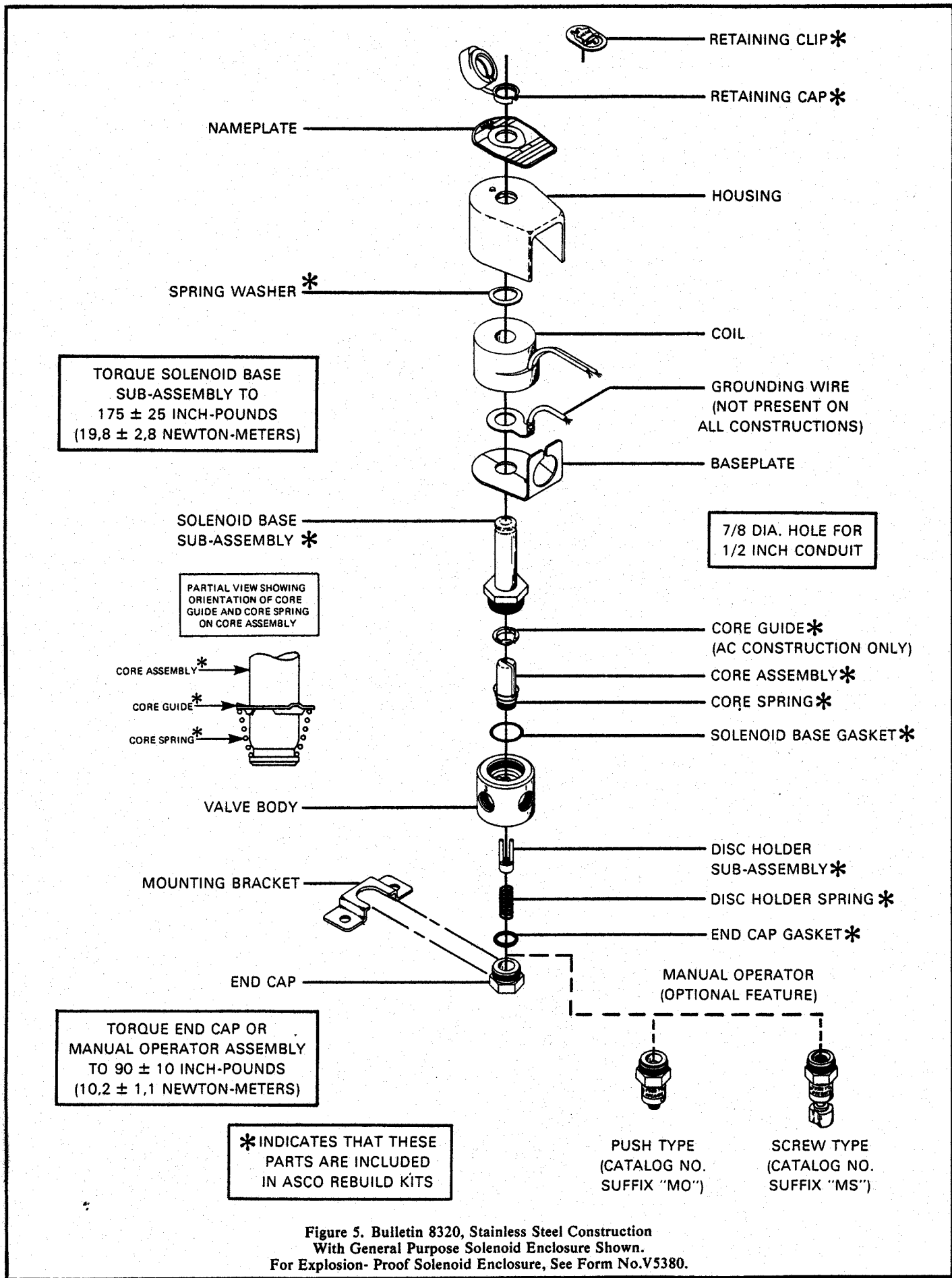


Figure 5. Bulletin 8320, Stainless Steel Construction
 With General Purpose Solenoid Enclosure Shown.
 For Explosion- Proof Solenoid Enclosure, See Form No.V5380.