

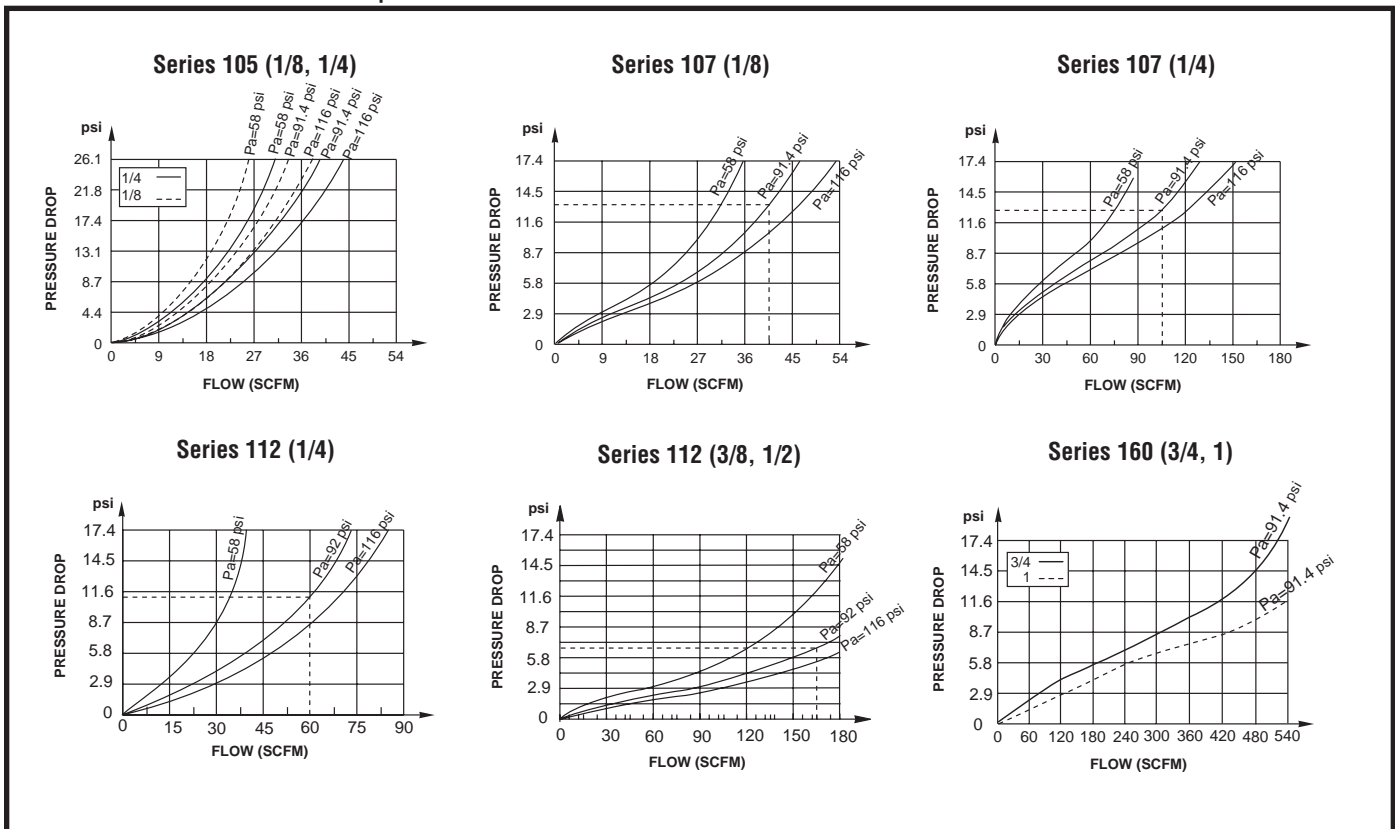
LUBRICATORS

LUBRICATOR - Specifications

Series	Pipe Size (ins.)	Bowl Capacity (oz.)	Max. Oil Capacity (oz.)	Min. Flow @ 90 psi (SCFM)	Max. Flow @ 90 psi (SCFM)	Max. Inlet Pressure (psi) @ 125°F	Min. Ambient Temp °F	Max. Ambient Temp °F	With Bowl Guard	Without Bowl Guard
Lubricator - Selective Oil Fog										
105	1/8	0.9	0.74	0.71	29.3	150	32	125	342 25 195 ② ③	342 25 115 ② ③
107	1/8	1.6	0.96	0.71	47.7	150 ①	32	125	342 04 003	342 04 007
105	1/4	0.9	0.74	0.71	33.5	150	32	125	342 25 196 ② ③	342 25 116 ② ③
107	1/4	1.6	0.96	0.71	123.6	150 ①	32	125	342 04 004	342 04 008
112	1/4	3.6	2.3	0.71	70.6	150 ①	32	125	342 03 273	342 03 279
112	3/8	3.6	2.3	0.71	194.2	150 ①	32	125	342 03 274	342 03 280
112	1/2	3.6	2.3	0.71	194.2	150 ①	32	125	342 03 275	342 03 281
160	3/4	16.6	16.0	3.17	564.5	254	15	125	342 07 555	-
160	1	16.6	16.0	3.17	624.5	254	15	125	342 07 556	-

① 175 psi @ 75°F Max. Ambient & Fluid Temperature. ② Includes 25 micron filter (see filter section for specifications). ③ Combination Filter-Lubricator only.

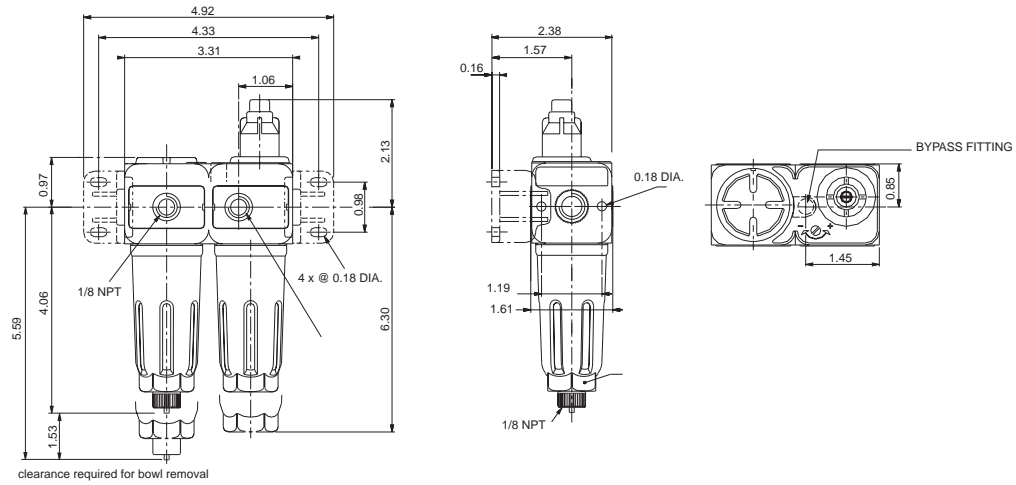
LUBRICATOR - Flow Graphs



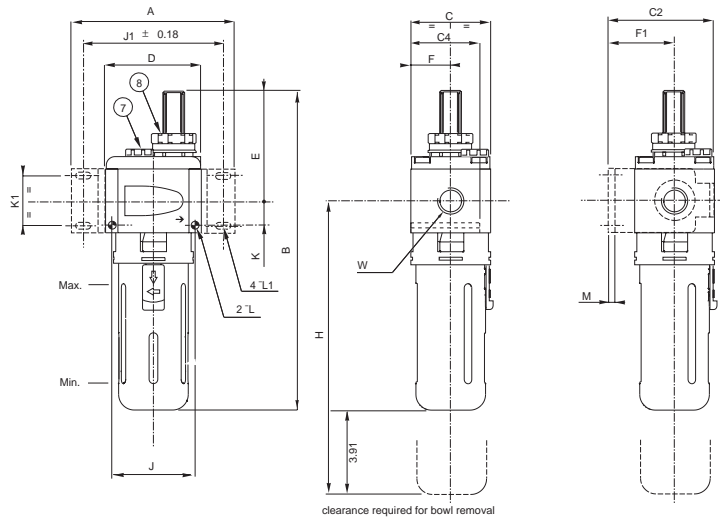
LUBRICATOR - Dimensions (inches)

Series	A	B	C	C2	C4	D	E	F	F1	H	J	J1	K	K1	L (dia.)	L1 (dia.)	M	W
107	3.27	7.36	1.65	2.40	1.50	1.65	2.56	0.83	1.57	8.46	1.26	2.70	0.39	1.10	0.16	0.18	0.16	1/8", 1/4" NPT
112	4.41	8.46	2.17	2.89	1.87	2.60	2.80	1.08	1.81	9.57	2.24	3.78	0.67	1.32	0.22	0.22	0.16	1/4", 3/8", 1/2" NPT

Series 105



Series 107, 112



Series 160

