

Features

- 2-way normally closed operation
- Compact design
- Brass and 316 stainless steel body constructions
- Mountable in any position
- NSF 61 Annex G and 169 version available for potable water and food service

Construction

Valve Parts in Contact with Fluids			
	General Purpose		NSF
Body	Brass	316 Stainless Steel	316 Stainless Steel
Core Tube/Bonnet	S.S. / Plated Steel	S.S. / S.S.	S.S. / S.S.
Core and Plugnut	Stainless Steel		
Springs	Stainless Steel		
Seals and Disc	FKM		EPDM
Shading Coil	Copper		Copper

Electrical

Prefix	Standard Coil and Class of Insulation	Watt Rating and Power Consumption				Ambient Temp. °F	Spare Coil Family	
		DC Watts	AC				AC	DC
			Watts	VA Holding	VA Inrush			
U	F	6.9	6.3	8.8	12.1	15 to 140	400115	400115
SC	F	6.9	6.3	8.8	12.1	15 to 140	400125	400125

Standard voltages: 24, 120, 240 volts AC, 50-60 Hz. 12, 24, 120 volts DC
Must be specified when ordering.

Solenoid Enclosures

Standard: Open frame (Prefix U) 18" leads

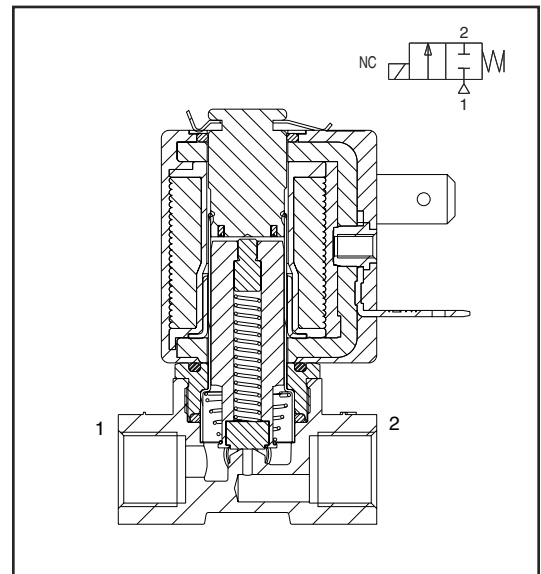
Optional: DIN (size 11mm, form B) (Prefix SC). Watertight/IP-65 when used with DIN connector kit for SC coils (see kits below).

Kits

1/2" NPT conduit hub kit for leaded coils 224735-001-*
(Kit contains 10 pcs of each: threaded hub, gasket, and attaching screw.)

DIN connector kit for SC coils 226061-001-*
(Kit contains 10 pcs of each: connector, gasket, and attaching screw.)

Mounting adapter kit 289719 (Kit contains 2 screws and plate.)



Approvals

UL recognized coil - File MH28173

CSA recognized coil - see CSA certificate No. 235748

Meets applicable CE directives

NSF 61 - Drinking water system components

NSF 169 - Special purpose food Equipment and Devices

Also certified to NSF/ANSI Standard 61, Annex G (weighted average lead content of $\leq 0.25\%$) and is in compliance with California's Health & Safety Code Section 116875 (commonly known as AB1953) and Vermont Act 193.

The NSF Certification Program is accredited by the Standards Council of Canada and ANSI.

Specifications (English Units)

Pipe Size (in)	Orifice Size (in)	Cv Flow Factor	Operating Pressure Differential (psi)						Max. Fluid Temp. °F		Brass	Stainless Steel	Const. Ref.	Wattage		Approx. Shipping Weight (lbs.)
			Max. AC ①			Max. DC ①			AC	DC				AC	DC	
			Air - Inert Gas	Water	Light Oil @ 300 SSU	Air - Inert Gas	Water	Light Oil @ 300 SSU								
General Service - Normally Closed																
1/8	3/64	0.05	500	500	400	360	360	330	180	180	U8256A001V	U8256A013V	1	6.3	6.9	0.5
1/8	1/16	0.08	400	390	230	220	220	220	180	180	U8256A002V	U8256A014V	1	6.3	6.9	0.5
1/8	3/32	0.15	180	180	105	90	90	90	180	180	U8256A004V	U8256A016V	1	6.3	6.9	0.5
1/8	7/64	0.19	135	126	80	63	63	63	180	180	U8256B045V	U8256B046V	2	6.3	6.9	0.6
NSF 61 and 169 Listed																
1/8	3/32	0.15	-	200	-	-	130	-	180	180	-	U8256A103E	1	6.3	6.9	0.5
1/8	7/64	0.17	-	150	-	-	100	-	180	180	-	U8256A104E	2	6.3	6.9	0.6
1/4	3/32	0.15	-	200	-	-	130	-	180	180	-	U8256A107E	3	6.3	6.9	0.5
1/4	7/64	0.17	-	150	-	-	100	-	180	180	-	U8256A108E	3	6.3	6.9	0.6

① MS option limits max. pressures to 220 psi (unless limited by operating pressure).

Specifications (Metric Units)

Pipe Size (in)	Orifice Size (mm)	Kv Flow Factor (m3/h)	Operating Pressure Differential (bar)						Max. Fluid Temp. °C		Brass	Stainless Steel	Const. Ref.	Wattage		Approx. Shipping Weight (kgs.)
			Max. AC ①			Max. DC ①			AC	DC				AC	DC	
			Air - Inert Gas	Water	Light Oil @ 300 SSU	Air - Inert Gas	Water	Light Oil @ 300 SSU								
General Service - Normally Closed																
1/8	1.2	0.04	34	34	27	25	25	23	82	82	U8256A001V	U8256A013V	1	6.3	6.9	0.22
1/8	1.6	0.07	27	27	16	15	15	15	82	82	U8256A002V	U8256A014V	1	6.3	6.9	0.22
1/8	2.4	0.13	12	12	7	6	6	6	82	82	U8256A004V	U8256A016V	1	6.3	6.9	0.22
1/8	2.7	0.16	9	8	5	4	4	4	82	82	U8256B045V	U8256B046V	2	6.3	6.9	0.27
NSF 61 and 169 Listed																
1/8	2.4	0.13	-	14	-	-	9	-	82	82	-	U8256A103E	1	6.3	6.9	0.22
1/8	2.7	0.16	-	10	-	-	7	-	82	82	-	U8256A104E	2	6.3	6.9	0.22
1/4	2.4	0.13	-	14	-	-	9	-	82	82	-	U8256A107E	3	6.3	6.9	0.22
1/4	2.7	0.16	-	10	-	-	7	-	82	82	-	U8256A108E	3	6.3	6.9	0.27

① MS option limits max. pressures to 15 bar (unless limited by operating pressure).

Capabilities Chart

Solenoid Options ②							Base Catalog Number		Resilient Materials ①						Other		Standard Rebuild Kit		
NEMA Type 3-9	High Temp. DIN	Wiring Box Screw Terminal	Multipin	DIN	Spade	Open Frame with Leads	Brass	Stainless Steel	FKM	EPDM	RUBY	Oxygen Service	PTFE	Urethane	Vacuum	Manual Operator	Mounting Bracket	Brass AC/DC	Stainless AC/DC
-	-	-	-	SC	-	●	U8256A001V	U8256A013V	●	E	-	NV	-	-	-	-	-	-	-
-	-	-	-	SC	-	●	U8256A002V	U8256A014V	●	E	-	NV	-	-	-	-	-	-	-
-	-	-	-	SC	-	●	U8256A004V	U8256A016V	●	E	-	NV	-	-	-	-	-	-	-
-	-	-	-	SC	-	●	U8256B045V	U8256B046V	●	E	-	NV	-	-	-	-	-	-	-
-	-	-	-	SC	-	●	-	U8256A103E	-	●	-	-	-	-	-	-	-	-	-
-	-	-	-	SC	-	●	-	U8256A104E	-	●	-	-	-	-	-	-	-	-	-
-	-	-	-	SC	-	●	-	U8256A107E	-	●	-	-	-	-	-	-	-	-	-
-	-	-	-	SC	-	●	-	U8256A108E	-	●	-	-	-	-	-	-	-	-	-

● = Standard. ① Replace V suffix. ② Replace U prefix with SC prefix.

Dimensions: inches (mm)

Const. Ref.		A	B	C	D	E
1	in	1.81	2.08	1.29	1	0.59
	mm	46	53	33	25	15
2	ins	1.98	2.25	.984	1	0.59
	mm	50	57	25	25	15
3	in	1.86	2.25	1.73	1.12	.83
	mm	46	57	44	28	21

Shown with DIN coil without connector

