

## Type 1009AW Stainless Case Gauge

**PLUS!**  
Performance

(See Note 2)



### FEATURES

- Patented PowerFlex™ movement
- All welded construction
- True Zero™ pointer indication
- NEW ventable plug
- NEW patent pending through-dial calibration
- NEW MSL helium leak tested to 1X10<sup>-6</sup> ATM -cc/sec
- Meets ASME B40.100 standard
- RoHS compliant
- CRN approved
- 5 year limited warranty

Ashcroft is pleased to reintroduce the 1009AW Duralife® pressure gauge. This gauge has been upgraded with many new features outlined above while maintaining the tried and true performance and quality you have come to expect.

Duralife 1009AW gauges provide significant features and benefits. New features include a ventable plug that can be sealed or vented depending on your environment and a patent pending through-dial recalibration that reduces recalibration time.

The combination of features including the patented PowerFlex™ movement and optional PLUS™ Performance<sup>(2)</sup> dampening system in the 1009AW is the finest gauge technology for vibration, shock and pulsation applications. Available in pressure ranges from vacuum to 1000 psi, including compound and metric ranges.

### PRODUCT SPECIFICATIONS

<b>Ashcroft Type No.:</b>	1009AW
<b>Sizes:</b>	2½", 3½"
<b>Case:</b>	304SS
<b>Ring:</b>	304SS polished bayonet
<b>Window:</b>	Polycarbonate
<b>Dial:</b>	Black figures on white background, aluminum
<b>Pointer:</b>	Friction adjust, black, aluminum
<b>Bourdon Tube:</b>	316L stainless steel C-Shaped (vacuum-600 psi and compound) Helical (1000psi)
<b>Socket:</b>	Aluminum Bronze
<b>Movement:</b>	300 series stainless steel, PowerFlex, polyester segment, overload/underload stops
<b>Connections:</b>	½ and ¼ NPT, lower or lower back
<b>Ranges:</b>	Vac-1000 psi and compound
<b>Accuracy:</b>	1% full scale; ASME Grade 1A(1)
<b>Fill Plug:</b>	Ventable
<b>Protection:</b>	Nema 4X / IP65 plug sealed Nema 3 / IP54 plug vented
<b>Ambient Temperature Limitations<sup>(2)</sup>:</b>	-40°F to 200°F dry +20°F to 150°F glycerin filled -40°F to 150°F silicone filled (based on standard polycarbonate window)
<b>OPTIONAL FEATURES</b>	
<b>Liquid fill:</b>	Glycerin, silicone, halocarbon (includes throttle plug)
<b>Dampening:</b>	PLUS™ Performance (LL) <sup>(2)</sup> (includes throttle plug)
<b>Window:</b>	Safety glass (SG)
<b>Pointer:</b>	Micrometer (MP)
<b>Connections:</b>	Metric and SAE on request
<b>Mounting:</b>	U-clamp (UC), Front flange (FF), Back flange (FW)
<b>Dials:</b>	Receiver ranges, refrigerant ranges; custom dials

<sup>(1)</sup> When these gauges are liquid filled the total gauge accuracy may be as much as 1.5%

<sup>(2)</sup> XLL PLUS™ design is not recommended for gauges expected to be exposed to temperatures over 200°F (93°C). This includes gauges subject to autoclaving.

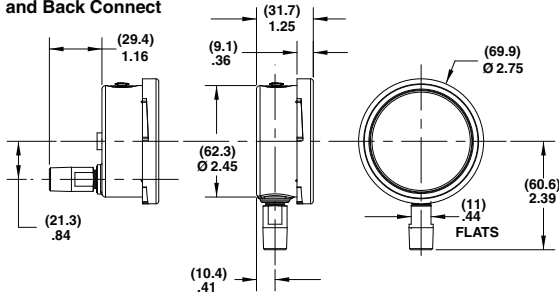
### HOW TO ORDER (Typical example)

	35	1009	AW (L)	02L	XXX	100#
<b>Dial Size:</b> 2½" (25), 3½" (35)	_____	_____	_____	_____	_____	_____
<b>Case Type:</b> 1009	_____	_____	_____	_____	_____	_____
<b>Tube &amp; Socket Material:</b> 316L SS & Aluminum Bronze	_____	_____	_____	_____	_____	_____
<b>Liquid Filled:</b> (glycerin) leave blank if dry	_____	_____	_____	_____	_____	_____
<b>Connection Size:</b> ½ (01), ¼ (02)	_____	_____	_____	_____	_____	_____
<b>Connection Location:</b> Lower (L), Lower Back (B)	_____	_____	_____	_____	_____	_____
<b>Options:</b>	_____	_____	_____	_____	_____	_____
<b>Range:</b> 0/100 psi	_____	_____	_____	_____	_____	_____

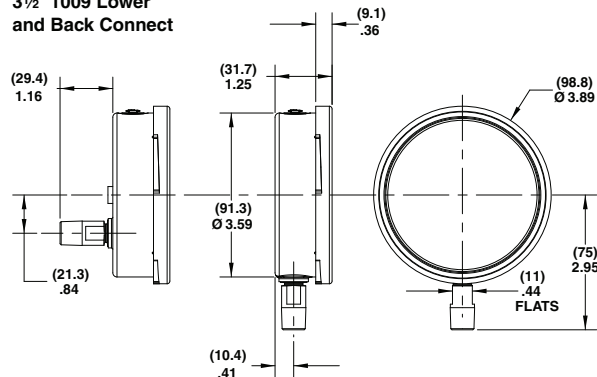
## Type 1009AW Stainless Case Gauge

### DIMENSIONS

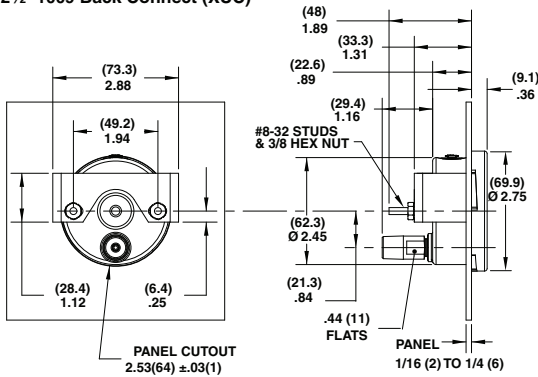
**2½" 1009 Lower and Back Connect**



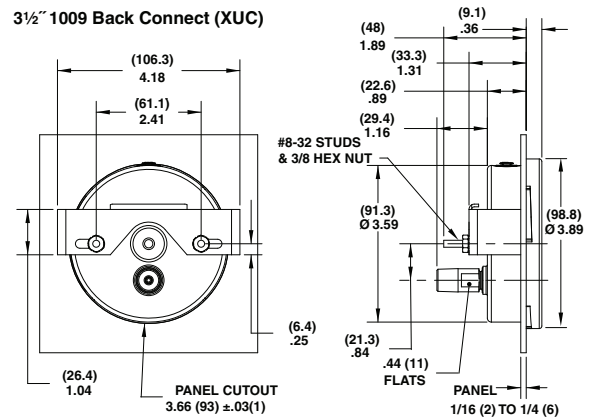
**3½" 1009 Lower and Back Connect**



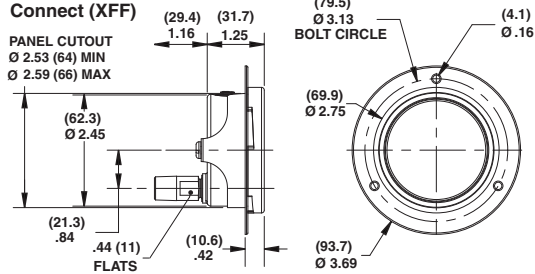
**2½" 1009 Back Connect (XUC)**



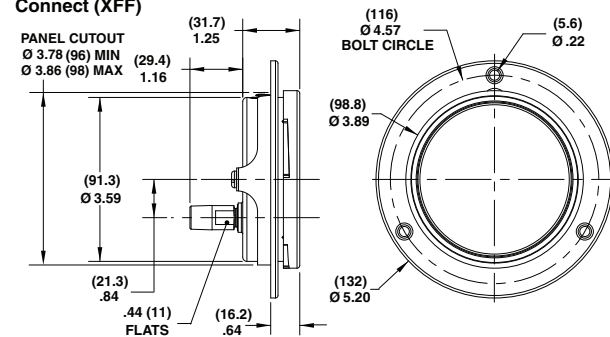
**3½" 1009 Back Connect (XUC)**



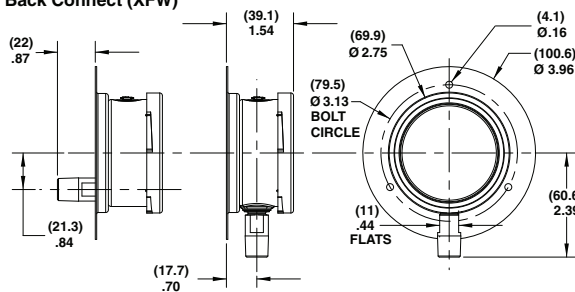
**2½" 1009 Back Connect (XFF)**



**3½" 1009 Back Connect (XFF)**



**2½" 1009 Lower and Back Connect (XFW)**



**3½" 1009 Lower and Back Connect (XFW)**

