

Block assembly kit

P652AT502466001

2024-08-13

Series 652



Technical data

Industry

Housing material

Seal material

Industrial

Aluminum

Nitrile butadiene rubber

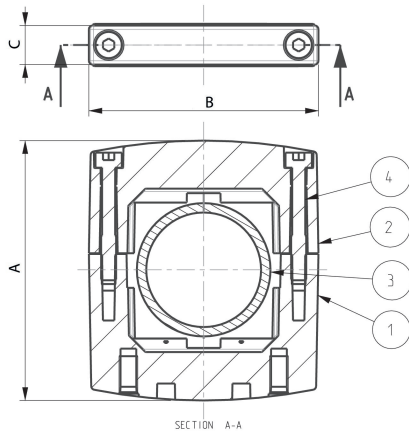
P652AT502466001

Block assembly kit

2024-08-13

P652AT502466001

Dimensions



- 1) Block assembly kit
- 2) Block assembly kit
- 3) O-ring
- 4) Screw

Series	652
A	69
B	61
C	10