






### Servo-assisted 2/2-way piston valve

- Servo-assisted piston valve up to DN50 orifice
- Safe opening with hard-coupled piston system without differential pressure
- Vibration-resistant, push-over coil system
- Explosion-proof variants
- Energy-saving double coil technology with Kick and Drop variant

Product variants described in the data sheet may differ from the product presentation and description.

#### Can be combined with

	<b>Type 2518</b> Cable plug, form A according to DIN EN 175301-803	▶
	<b>Type 1087</b> Timer, form A according to DIN EN 175301-803	▶
	<b>Type 2509</b> Cable plug, form A according to DIN EN 175301-803	▶

#### Type description

The Type 6407 valve is a servo-assisted piston valve. The fix coupling between pilot valve and piston provides an opening of the valve without pressure difference. As a piston valve, the Type 6407 is particular suitable for media such as gas and steam. As well as liquids with low operating temperature below 0°C. The stopper and the core guide pipe are welded together to enhance pressure resistance and leak-tightness. Various seal material combinations are available depending on the application. The coils are moulded with chemically resistant epoxy. To reduce power consumption in operation, coils with Kick and Drop electronics (double coil technology) are available. In combination with a plug acc. to DIN EN 175301-803 Form A, the valves satisfy IP65 degree of protection.

DTS 1000348453 EN Version: K Status: RL (released | freigegeben | validé) printed: 12.03.2025

## Table of contents

<b>1. General technical data</b>	<b>3</b>
<b>2. Circuit functions</b>	<b>4</b>
<b>3. Approvals and conformities</b>	<b>4</b>
3.1. General notes .....	4
3.2. Conformity .....	4
3.3. Standards .....	4
3.4. Explosion protection.....	5
3.5. North America (USA/Canada) .....	5
<b>4. Materials</b>	<b>6</b>
4.1. Bürkert resistApp.....	6
4.2. Material specifications .....	6
Threaded body.....	6
Flange body.....	7
<b>5. Dimensions</b>	<b>8</b>
5.1. Standard variant DN 13...DN 32.....	8
5.2. Standard variant DN 50 .....	10
5.3. ATEX/IECEX variant.....	11
<b>6. Performance specifications</b>	<b>12</b>
6.1. Power consumption .....	12
<b>7. Product accessories</b>	<b>12</b>
7.1. Cable glands for ATEX/IECEX terminal box .....	12
7.2. Special tool to turn the terminal box .....	13
<b>8. Ordering information</b>	<b>13</b>
8.1. Bürkert eShop .....	13
8.2. Bürkert product filter.....	13
8.3. Bürkert Product Enquiry Form .....	13
8.4. Standard variant DN 13...DN 32.....	14
Standard variant.....	14
Steam variant with valve seat in stainless steel.....	14
Steam variant with Kick and Drop coil (AC/DC) cURus (UL Recognized) coil approval .....	15
Steam variant with DC-coil cURus (UL Recognized) coil approval.....	15
8.5. Standard variant DN 50 .....	15
Standard variant.....	15
Steam variant with valve seat in stainless steel.....	16
8.6. ATEX/IECEX cable variant .....	16
8.7. ATEX/IECEX terminal box variant .....	16
8.8. Ordering chart accessories.....	17
Cable plug Type 2518, form A according to DIN EN 175301 - 803 .....	17
Cable plug Type 2509, form A according to DIN EN 175301 - 803.....	17
Cable glands for ATEX/IECEX terminal box.....	18

## 1. General technical data

Product properties	
Dimensions	Further information can be found in chapter "5. Dimensions" on page 8.
<b>Material</b>	
Seal	PTFE and graphite
Body	Brass
Coil	Epoxy
Orifice	DN 13...DN 50
Circuit function	A Further information can be found in chapter "2. Circuit functions" on page 4.
Thermal insulation class of solenoid coil	Epoxy coil class H
Performance data	
Duty cycle	100 % continuous operation, Kick and Drop coil max. 6 switching cycles/minute
<b>Switching time<sup>1)</sup></b>	
DN 13	Opening: 30 ms Closing: 250 ms
DN 20	Opening: 30 ms Closing: 250 ms
DN 25	Opening: 60 ms Closing: 700 ms
DN 32	Opening: 80 ms Closing: 900 ms
DN 50	Opening: 500 ms Closing: 2000 ms
Electrical data	
Operating voltage	24 V DC, 24 V 50 Hz, 24 V 60 Hz, 110 V 50 Hz, 120 V 60 Hz, 230 V 50 Hz, 240 V 60 Hz (further voltages on request)
Power consumption	Further information can be found in chapter "6.1. Power consumption" on page 12.
Voltage tolerance	± 10 %
Medium data	
Operating medium	Neutral gases and liquids (e.g. compressed air, water, hydraulic oil, hot water and steam)
<b>Medium temperature</b>	
Standard variant	PTFE and graphite: - 40 °C...+ 150 °C PTFE and FKM: - 10 °C...+ 120 °C
Steam variant	PTFE and graphite: 0 °C...+ 150 °C (+ 180 °C for AC 12/13 Watt on request) PTFE and FKM: 0 °C...+ 120 °C
Explosion-proof variant	PTFE and graphite: - 40 °C...+ 120 °C PTFE and FKM: - 10 °C...+ 120 °C
Viscosity	Max. 21 mm <sup>2</sup> /s (21 cSt)
Process/Port connection and communication	
Electrical connection	<ul style="list-style-type: none"> <li>Plug contacts according to DIN EN 175 301 - 803 form A for cable plug <b>Type 2518</b> ► Further information can be found in chapter "Cable plug Type 2518, form A according to DIN EN 175301 - 803" on page 17.</li> <li>Plug contacts according to DIN EN 175 301 - 803 form A for cable plug <b>Type 2509</b> ► Further information can be found in chapter "Cable plug Type 2509, form A according to DIN EN 175301 - 803" on page 17.</li> </ul>
Port connection	G ½, G ¾, G 1, G 1 ¼, G 1 ½, G 2, G 2 ½ NPT ½, NPT ¾, NPT 1, NPT 1 ¼, NPT 1 ½, NPT 2
Approvals and conformities	
Degree of protection	IP65 with cable plug
Explosion protection	Further information can be found in chapter "3.4. Explosion protection" on page 5.
North America (USA/Canada)	Further information can be found in chapter "3.5. North America (USA/Canada)" on page 5.

**Environment and installation**

Installation position	As required, preferably with actuator upright
<b>Ambient temperature</b>	
Standard variant	PTFE + graphite: - 40 °C...+ 45 °C PTFE + FKM: - 10 °C...+ 55 °C
Steam variant	PTFE + graphite: 0 °C...+ 45 °C (+ 55 °C on request) PTFE + FKM: 0 °C...+ 55 °C
Explosion-proof variant	- 10 °C...+ 40 °C

1.) Measurement at + 20 °C, 6 bar at the valve outlet, opening: pressure build-up 0...90 %, closing: pressure reduction 100...10 %

**2. Circuit functions**

Symbol	Description
	<b>Circuit function A (CF A)</b> 2/2-way solenoid valve Servo-controlled Normally closed

**3. Approvals and conformities**

**3.1. General notes**

- The approvals and conformities listed below must be stated when making enquiries. This is the only way to ensure that the product complies with all required specifications.
- Not all available variants can be supplied with the below mentioned approvals or conformities.

**3.2. Conformity**



In accordance with the Declaration of Conformity, the product is compliant with the EU Directives.

**3.3. Standards**


The applied standards which are used to demonstrate compliance with the EU Directives are listed in the EU-Type Examination Certificate and/or the EU Declaration of Conformity.

DTS 1000348453 EN Version: K Status: RL (released | freigegeben | validé) printed: 12.03.2025

### 3.4. Explosion protection

Approval	Description								
  	<p><b>Optional: Explosion protection according to category 2 (zone 1/21)</b></p> <p>Ex marking of the components according to the following table:</p> <table border="1"> <thead> <tr> <th colspan="2">Coil Type AC19</th> </tr> <tr> <th>Coil with cable outlet</th> <th>Coil with terminal box</th> </tr> </thead> <tbody> <tr> <td> <b>ATEX:</b>                      EPS 16 ATEX 1072 X                      II 2G Ex mb IIC T4 Gb                      II 2D Ex mb IIIC T130 °C Db                 </td> <td> <b>ATEX:</b>                      EPS 16 ATEX 1072 X                      II 2G Ex eb mb IIC T4 Gb                      II 2D Ex mb tb IIIC T130 °C Db                 </td> </tr> <tr> <td> <b>IECEX:</b>                      IECEX EPS 16.0030 X                      II 2G Ex mb IIC T4 Gb                      II 2D Ex mb IIIC T130 °C Db                 </td> <td> <b>IECEX:</b>                      IECEX EPS 16.0030 X                      II 2G Ex eb mb IIC T4 Gb                      II 2D Ex mb tb IIIC T130 °C Db                 </td> </tr> </tbody> </table>	Coil Type AC19		Coil with cable outlet	Coil with terminal box	<b>ATEX:</b> EPS 16 ATEX 1072 X II 2G Ex mb IIC T4 Gb II 2D Ex mb IIIC T130 °C Db	<b>ATEX:</b> EPS 16 ATEX 1072 X II 2G Ex eb mb IIC T4 Gb II 2D Ex mb tb IIIC T130 °C Db	<b>IECEX:</b> IECEX EPS 16.0030 X II 2G Ex mb IIC T4 Gb II 2D Ex mb IIIC T130 °C Db	<b>IECEX:</b> IECEX EPS 16.0030 X II 2G Ex eb mb IIC T4 Gb II 2D Ex mb tb IIIC T130 °C Db
	Coil Type AC19								
Coil with cable outlet	Coil with terminal box								
<b>ATEX:</b> EPS 16 ATEX 1072 X II 2G Ex mb IIC T4 Gb II 2D Ex mb IIIC T130 °C Db	<b>ATEX:</b> EPS 16 ATEX 1072 X II 2G Ex eb mb IIC T4 Gb II 2D Ex mb tb IIIC T130 °C Db								
<b>IECEX:</b> IECEX EPS 16.0030 X II 2G Ex mb IIC T4 Gb II 2D Ex mb IIIC T130 °C Db	<b>IECEX:</b> IECEX EPS 16.0030 X II 2G Ex eb mb IIC T4 Gb II 2D Ex mb tb IIIC T130 °C Db								
<p><b>Optional: Explosion protection according to category 3 (zone 2/22)</b></p> <p>Ex marking of the components according to the following table:</p> <table border="1"> <thead> <tr> <th colspan="2">Coil Type AC19</th> </tr> <tr> <th colspan="2">Coil with plug contacts form A and cable plug Type 2509</th> </tr> </thead> <tbody> <tr> <td> <b>ATEX:</b>                      EPS 16 ATEX 1072 X                      II 2G Ex mb IIC T4 Gb                      II 2D Ex mb IIIC T130 °C Db                 </td> <td> </td> </tr> <tr> <td> <b>IECEX:</b>                      IECEX EPS 16.0030 X                      II 2G Ex mb IIC T4 Gb                      II 2D Ex mb IIIC T130 °C Db                 </td> <td> </td> </tr> </tbody> </table>	Coil Type AC19		Coil with plug contacts form A and cable plug Type 2509		<b>ATEX:</b> EPS 16 ATEX 1072 X II 2G Ex mb IIC T4 Gb II 2D Ex mb IIIC T130 °C Db		<b>IECEX:</b> IECEX EPS 16.0030 X II 2G Ex mb IIC T4 Gb II 2D Ex mb IIIC T130 °C Db		
Coil Type AC19									
Coil with plug contacts form A and cable plug Type 2509									
<b>ATEX:</b> EPS 16 ATEX 1072 X II 2G Ex mb IIC T4 Gb II 2D Ex mb IIIC T130 °C Db									
<b>IECEX:</b> IECEX EPS 16.0030 X II 2G Ex mb IIC T4 Gb II 2D Ex mb IIIC T130 °C Db									

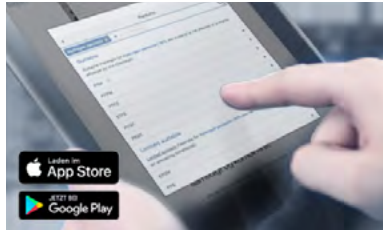
### 3.5. North America (USA/Canada)

Approval	Description
	<p><b>Optional: UL Listed for the USA (valid for valves)</b></p> <p>The valves are UL Listed for the USA according to:</p> <ul style="list-style-type: none"> <li>UL 429 (electrically operated valves)</li> </ul>
	<p><b>Optional: UL Hazardous Locations – Explosion Protection (valid for coils)</b></p> <p>UL Listed for Hazardous Locations for USA and Canada</p> <p>Class I, Zone 1</p> <p>Class I, Division 2, Group A, B, C and D</p> <p>Class II + III, Division 2, Group F and G</p>
	<p><b>Optional: UL Recognized for the USA (valid for valves)</b></p> <p>The valves are UL Recognized for the USA according to:</p> <ul style="list-style-type: none"> <li>UL 429 (electrically operated valves)</li> </ul>

DTS 1000348453 EN Version: K Status: RL (released | freigegeben | valide) printed: 12.03.2025

## 4. Materials

### 4.1. Bürkert resistApp



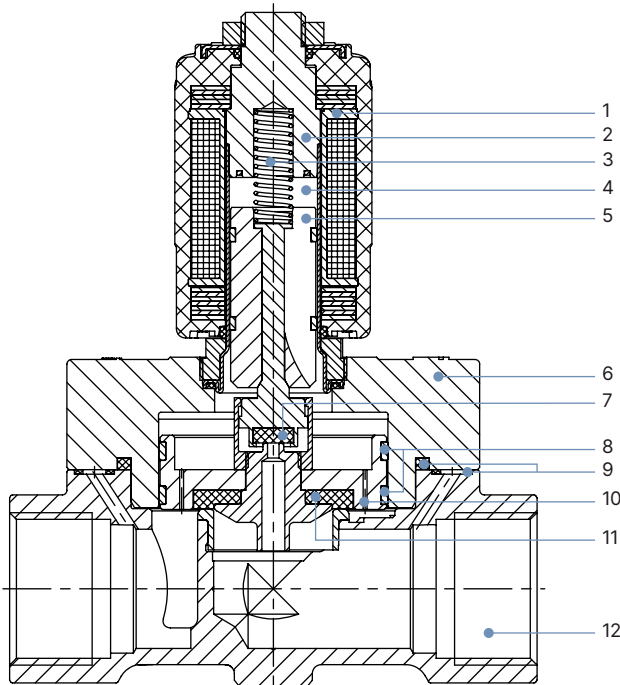
#### Bürkert resistApp – Chemical resistance chart

You want to ensure the reliability and durability of the materials in your individual application case? Verify your combination of media and materials on our website or in our resistApp.

[Start chemical resistance check](#)

### 4.2. Material specifications

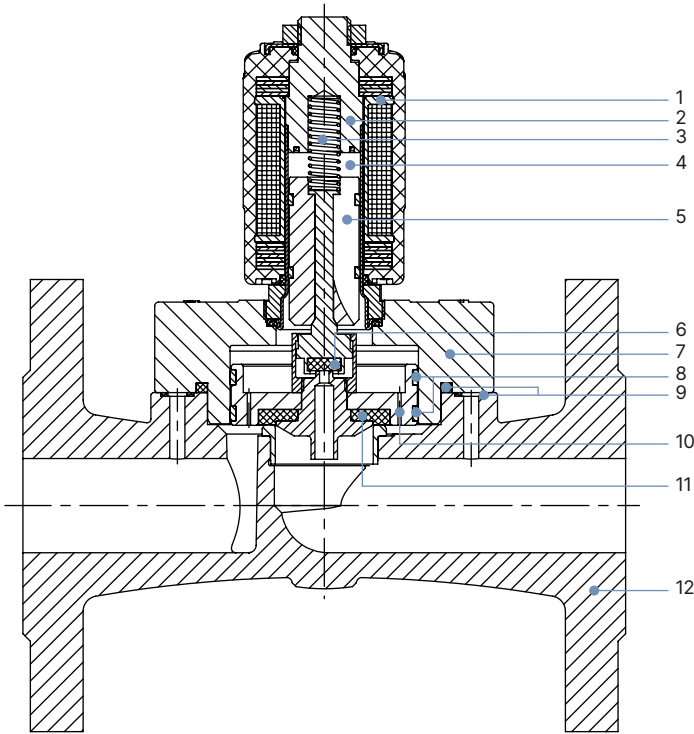
#### Threaded body



No.	Element	Material
1	Coil	Epoxy
2	Stopper	Stainless steel 1.4113/434 <sup>1)</sup>
3	Spring	Stainless steel 1.4310/301 <sup>1)</sup>
4	Armature guide tube	Stainless steel 1.4303/305 <sup>1)</sup> /308 <sup>1)</sup>
5	Core	Stainless steel 1.4113/434 <sup>1)</sup>
6	Cover	Brass
7	Seal	PTFE
8	Piston rings	PTFE
9	Sealing rings	Graphite
10	Plunger	Brass
11	Piston seal	PTFE
12	Body	Brass

1.) Material designation according to AISI

Flange body



No.	Element	Material
1	Coil	Epoxy
2	Stopper	Stainless steel 1.4113/434 <sup>1)</sup>
3	Spring	Stainless steel 1.4310/301 <sup>1)</sup>
4	Armature guide tube	Stainless steel 1.4303/305 <sup>1)</sup> /308 <sup>1)</sup>
5	Core	Stainless steel 1.4113/434 <sup>1)</sup>
6	Seal	PTFE
7	Cover	Brass
8	Piston rings	PTFE
9	Sealing rings	Graphite
10	Plunger	Brass
11	Piston seal	PTFE
12	Body	Stainless steel 1.4581/similar 316Ti <sup>1)</sup>

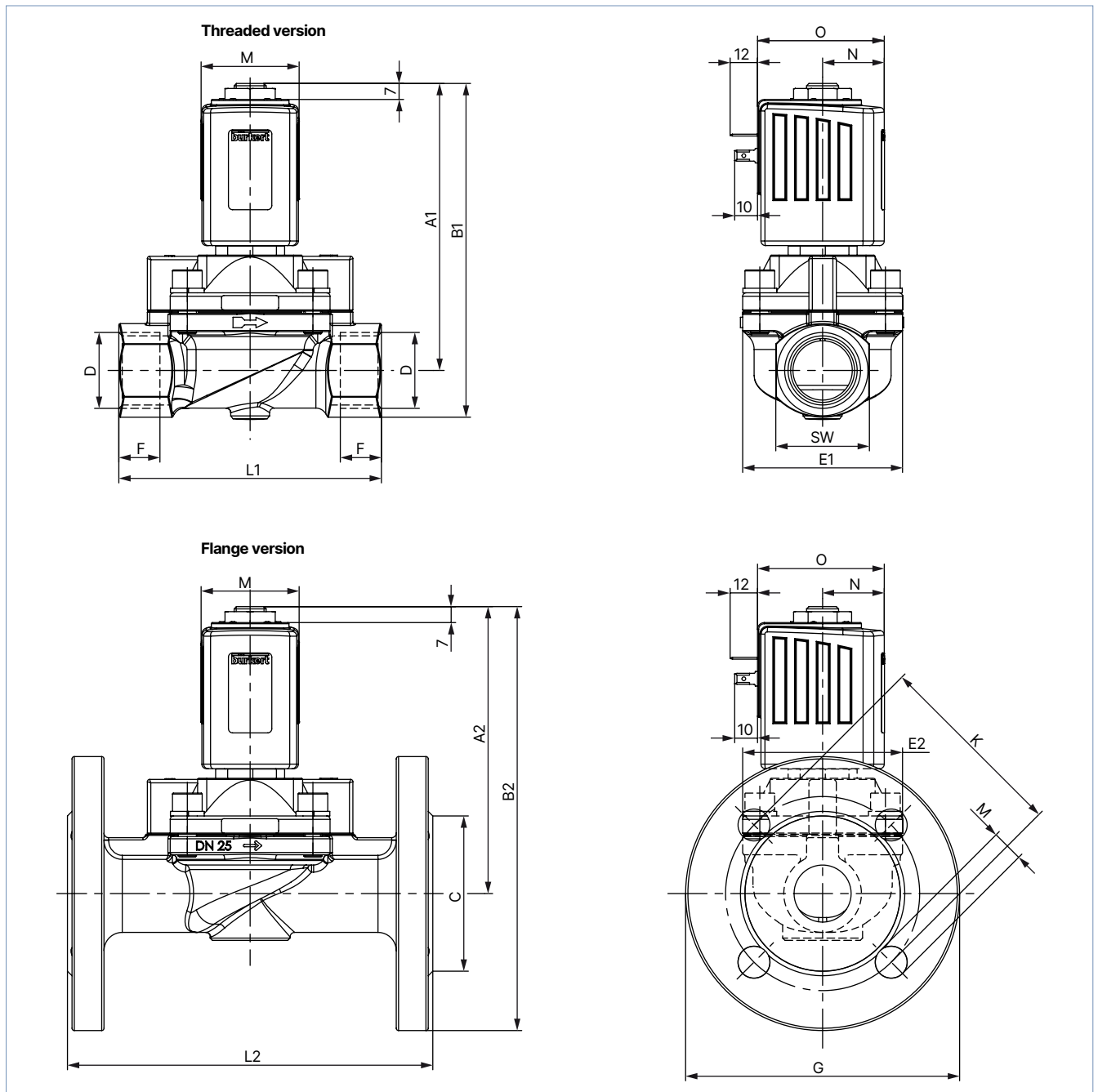
1.) Material designation according to AISI

## 5. Dimensions

### 5.1. Standard variant DN 13...DN 32

**Note:**

- Dimensions in mm
- The dimensions D1 and F1 apply to G-threads.
- The dimensions D2 and F2 apply to NPT-threads.
- The dimensions D3 and F3 apply to Rc-threads.



Coil size	M	N	O
K	42	27	55.5
L	65	37.5	72

DTS 1000348453 EN Version: K Status: RL (released | freigegeben | valide) printed: 12.03.2025

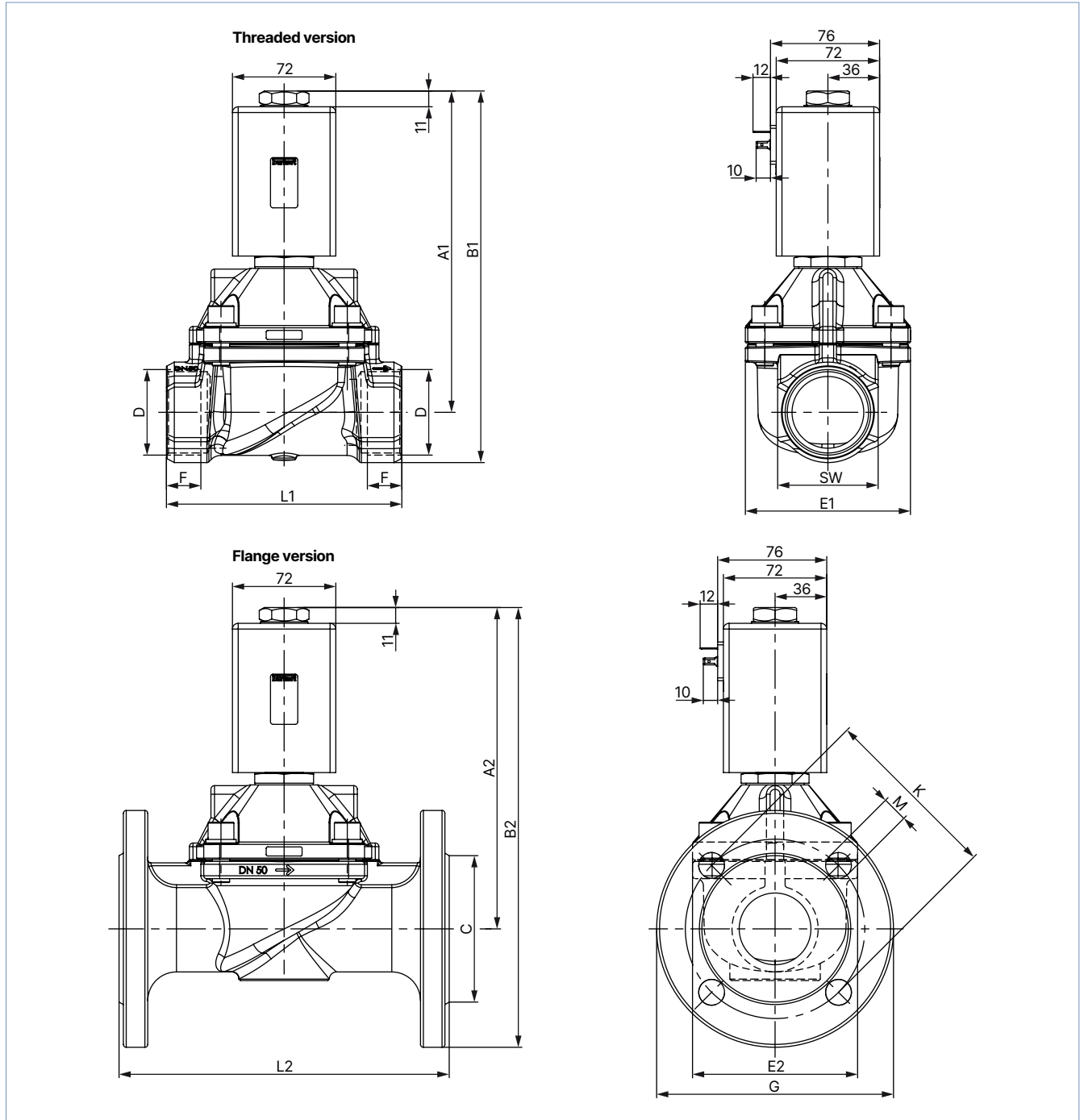
DN	Threaded variant in brass											Flange variant in stainless steel							
	A1	B1	G thread		NPT thread		Rc thread		E1	L1	SW	A2	B2	C	E2	G	L2	M	K
			D1	F1	D2	F2	D3	F3											
13	118.7	132.7	-	-	-	-	Rc 3/8	10.1	40	65	27	-	-	-	-	-	-	-	-
13			G 1/2	14	NPT 1/2	13.7	Rc 1/2	13.2						-	-	-	-	-	-
20	119.7	135.7	G 3/4	16	NPT 3/4	14.0	Rc 3/4	14.5	60	100	32	-	-	-	-	-	-	-	-
25	125.7	146.2	G 1	18	NPT 1	16.8	Rc 1	16.8	70	115	41	129.7	189.7	68	73	120	160	14	85
32	142.7	167.7	G 1 1/4	20	NPT 1 1/4	17.3	Rc 1 1/4	19.1	85	126	50	142.7	212.7	78	85	140	180	18	100
32	146.7	176.7	G 1 1/2	22	NPT 1 1/2	17.3	Rc 1 1/2	19.1	85	126	60	146.7	221.7	88	85	150	200	18	110

DTS 1000348453 EN Version: K Status: RL (released | freigegeben | valide) printed: 12.03.2025

5.2. Standard variant DN 50

Note:

- Dimensions in mm
- The dimensions D1 and F1 apply to G-threads.
- The dimensions D2 and F2 apply to NPT-threads.
- The dimensions D3 and F3 apply to Rc-threads.



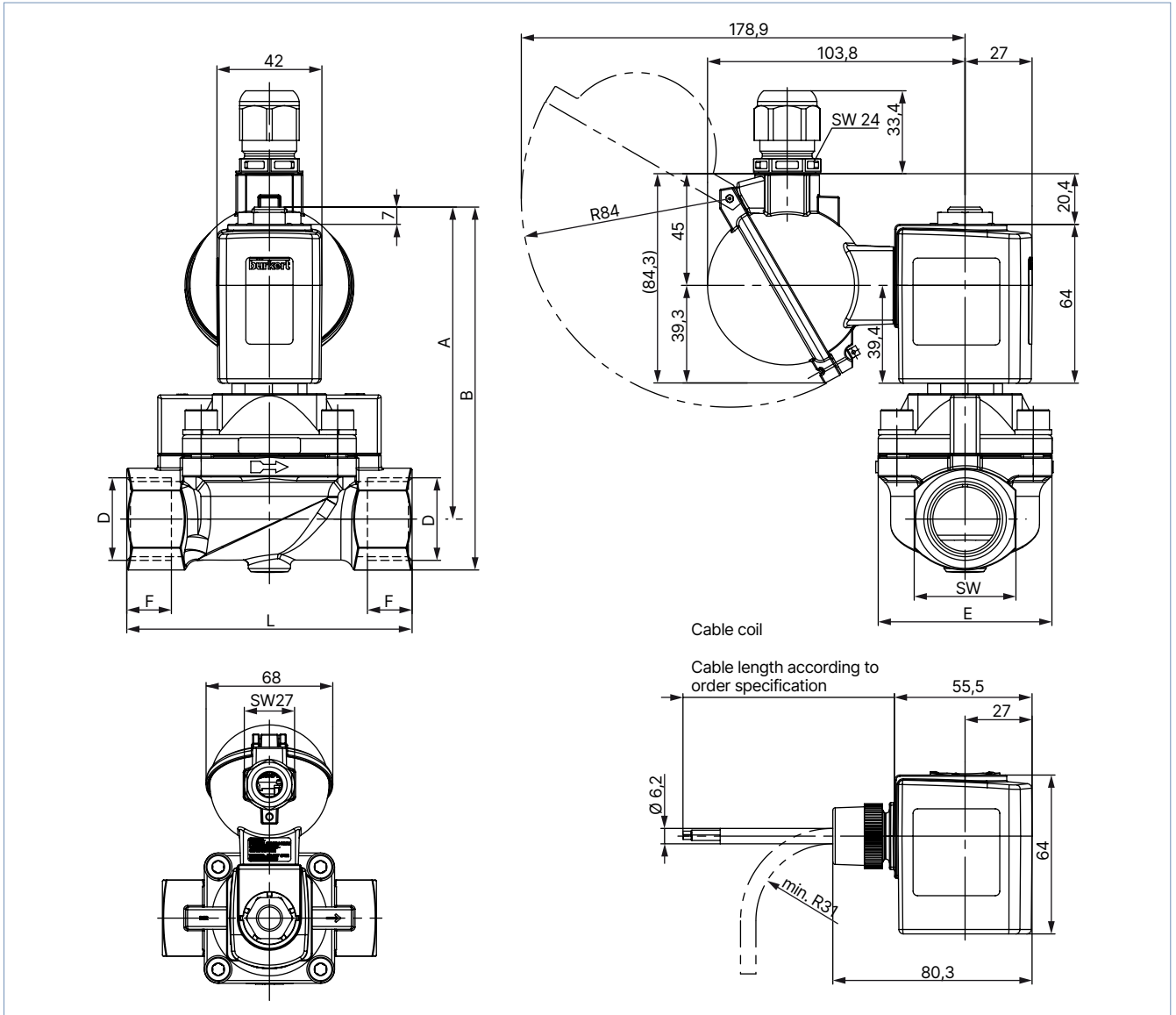
DN	Threaded variant in brass									Flange variant in stainless steel									
	A1	B1	G thread		NPT thread		Rc thread		E1	L1	SW	A2	B2	C	E2	G	L2	M	K
			D1	F1	D2	F2	D3	F3											
50	223.75	258.75	G 2	24	NPT 2	17.6	Rc 2	23.4	115	164	70	223.45	305.95	102	115	165	230	18	125
	223.45	223.45	G 2½	27	NPT 2½	23.6	-	13.2	-	179	85	-	-	-	-	-	-	-	-

DTS 1000348453 EN Version: K Status: RL (released | freigegeben | valide) printed: 12.03.2025

### 5.3. ATEX/IECEx variant

**Note:**

- Dimensions in mm
- The dimensions D1 and F1 apply to G-threads.
- The dimensions D2 and F2 apply to NPT-threads.
- The dimensions D3 and F3 apply to Rc-threads.



Coil size	M	N	O	P	R	S
K	42	27	55.5	80.3	104.8	179.8
L	65	37.5	72	97	110.8	185.8

DN	A	B	G thread		NPT thread		Rc thread		E	L	SW
			D1	F1	D2	F2	D3	F3			
13	118.7	132.7	-	-	-	-	Rc 3/8	10.1	40	65	27
13			G 1/2	14	NPT 1/2	13.7	Rc 1/2	13.2			
20	119.7	135.7	G 3/4	16	NPT 3/4	14.0	Rc 3/4	14.5	60	100	32
25	125.7	146.2	G 1	18	NPT 1	16.8	Rc 1	16.8	70	115	41

DTS 1000348453 EN Version: K Status: RL (released | freigegeben | validé) printed: 12.03.2025

## 6. Performance specifications

### 6.1. Power consumption

**Note:**

The Kick and Drop coil (AC/DC) features integrated electronics for short-term power increase and decrease in double coil technology.


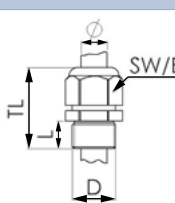

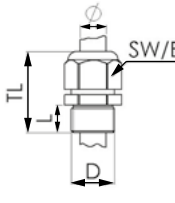
Orifice	Coil size	AC			DC		Kick and Drop coil (AC/DC)			AC with external rectifier
		Inrush power	Holding power		Cold performance	Warm performance	Cold performance Inrush power	Cold performance Holding power	Warm performance Holding power	Nominal power
[mm]	[mm]	[VA]	[VA]	[W]	[W]	[W]	[W] 500 ms	[W]	[W]	[W]
13	42	140	41	16	21	16	85	8.5	7	–
13 ATEX	42	–	–	–	15	12	–	–	–	–
20	42	150	41	16	–	–	85	8.5	7	–
25	42	160	41	16	–	–	85	8.5	7	–
32	42	170	41	16	–	–	85	8.5	7	–
20...25 ATEX	42	–	–	–	–	–	44	6.5	5.5	–
20...32	65	–	–	–	28	21	–	–	–	–
50	72	–	–	–	39	30	–	–	–	45

## 7. Product accessories

### 7.1. Cable glands for ATEX/IECEx terminal box

**Note:**

A polyamide cable gland is included in the scope of delivery. A nickel-plated brass variant can be ordered for a surcharge, see [“Cable glands for ATEX/IECEx terminal box” on page 18.](#)

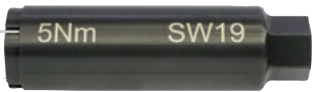
Description	Ex approvals		Dimensions										
	Certification	Identification											
Ex cable gland, Nickel-plated brass, 6...13 mm 	PTB 04 ATEX 1112 X, IECEx PTB 13.0027X	II 2 G Ex e IIC Gb, II 2 D Ex tb IIIC Db IP68	 <table border="1"> <tr><td>TL</td><td>29...37 mm</td></tr> <tr><td>L</td><td>6 mm</td></tr> <tr><td>D</td><td>20 mm</td></tr> <tr><td>SW</td><td>24 mm</td></tr> <tr><td>E</td><td>27 mm</td></tr> </table>	TL	29...37 mm	L	6 mm	D	20 mm	SW	24 mm	E	27 mm
TL	29...37 mm												
L	6 mm												
D	20 mm												
SW	24 mm												
E	27 mm												
Ex cable gland, Polyamide, 7...13 mm 	PTB 13 ATEX 1015 X, IECEx PTB 13.0034X	II 2 G Ex e IIC Gb, II 2 D Ex tb IIIC Db IP68	 <table border="1"> <tr><td>TL</td><td>36...45 mm</td></tr> <tr><td>L</td><td>10 mm</td></tr> <tr><td>D</td><td>20 mm</td></tr> <tr><td>SW</td><td>24 mm</td></tr> <tr><td>E</td><td>28 mm</td></tr> </table>	TL	36...45 mm	L	10 mm	D	20 mm	SW	24 mm	E	28 mm
TL	36...45 mm												
L	10 mm												
D	20 mm												
SW	24 mm												
E	28 mm												

DTS 1000348453 EN Version: K Status: RL (released | freigegeben | valide) printed: 12.03.2025

## 7.2. Special tool to turn the terminal box


**Note:**

This special tool is not included in the scope of delivery of the valve, see [“Cable glands for ATEX/IECEX terminal box” on page 18.](#)

Description	Components of the set
Set SC02-AC10 	<ul style="list-style-type: none"> <li>• Special wrench</li> <li>• Service manual</li> </ul>

## 8. Ordering information

### 8.1. Bürkert eShop




**Bürkert eShop – Easy ordering and quick delivery**

You want to find your desired Bürkert product or spare part quickly and order directly? Our online shop is available for you 24/7. Sign up and enjoy all the benefits.

[Order online now](#)

### 8.2. Bürkert product filter

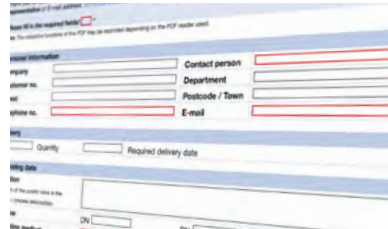


**Bürkert product filter – Get quickly to the right product**

You want to select products comfortably based on your technical requirements? Use the Bürkert product filter and find suitable articles for your application quickly and easily.

[Try out our product filter](#)

### 8.3. Bürkert Product Enquiry Form



**Bürkert Product Enquiry Form – Your enquiry quickly and compactly**

Would you like to make a specific product enquiry based on your technical requirements? Use our Product Enquiry Form for this purpose. There you will find all the relevant information for your Bürkert contact. This will enable us to provide you with the best possible advice.

[Fill out the form now](#)

DTS 1000348453 EN Version: K Status: RL (released | freigegeben | valide) printed: 12.03.2025

### 8.4. Standard variant DN 13...DN 32

#### Standard variant

Circuit function	Port connection	Orifice [mm]	K <sub>v</sub> value water <sup>1.)</sup> [m <sup>3</sup> /h]	Pressure range <sup>2.)</sup> [bar]	Max. medium temperature [°C]	Coil size [mm]	Article no.		
							024/DC [V/Hz]	024/50 [V/Hz]	230/50 [V/Hz]
<b>Brass body, seal material PTFE/graphite</b>									
<b>CF A</b> 2/2-way solenoid valve Servo-controlled Normally closed 	G ½	13	3.7	0...10	150	42	332166 ☞	332164 ☞	332165 ☞
	G ¾	20	5.6	0...10	150	42	-	332167 ☞	332168 ☞
						65	332169 ☞	-	-
	G 1	25	10.0	0...10	150	42	-	332170 ☞	332172 ☞
						65	332171 ☞	-	-
	G 1¼	32	16.0	0...10	150	42	-	332173 ☞	332174 ☞
						65	332176 ☞	-	-
	G 1½	32	16.0	0...10	150	42	-	332177 ☞	332178 ☞
						65	332179 ☞	-	-

- = not available

1.) Measurement at +20 °C, 1 bar<sup>2.)</sup> at the valve inlet and free outlet

2.) Pressure data: overpressure to atmospheric pressure

#### Steam variant with valve seat in stainless steel

Circuit function	Port connection	Orifice [mm]	K <sub>v</sub> value water <sup>1.)</sup> [m <sup>3</sup> /h]	Pressure range <sup>2.)</sup> [bar]	Max. medium temperature [°C]	Coil size [mm]	Article no.		
							024/DC [V/Hz]	024/50 [V/Hz]	230/50 [V/Hz]
<b>Brass body, seal material PTFE/graphite</b>									
<b>CF A</b> 2/2-way solenoid valve Servo-controlled Normally closed 	G ½	13	3.7	0...10	150	42	320877 ☞	320859 ☞	320856 ☞
						180	65	-	20032730 ☞
	G ¾	20	5.6	0...10	150	42	-	320861 ☞	320857 ☞
						65	320878 ☞	-	-
						180	65	-	20032731 ☞
	G 1	25	10.0	0...10	150	42	-	320862 ☞	320858 ☞
						65	320879 ☞	-	-
						180	65	-	20032732 ☞
	Flange acc. to DIN EN 1902 - 1	25	10.0	0...10	150	42	-	369641 ☞	357372 ☞
						65	379382 ☞	-	-
						180	65	-	20032733 ☞
	G 1¼	32	16.0	0...10	150	42	-	330406 ☞	330401 ☞
						65	330420 ☞	-	-
	Flange acc. to DIN EN 1902 - 1	32	16.0	0...10	150	42	-	363054 ☞	363047 ☞
						65	363048 ☞	-	-
	G 1½	32	16.0	0...10	150	42	-	330427 ☞	330429 ☞
65						330435 ☞	-	-	
Flange acc. to DIN EN 1902 - 1 with DN 40	32	16.0	0...10	150	42	-	20032737 ☞	363049 ☞	
					65	363050 ☞	-	-	

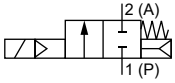
- = not available

1.) Measurement at +20 °C, 1 bar<sup>2.)</sup> at the valve inlet and free outlet

2.) Pressure data: overpressure to atmospheric pressure

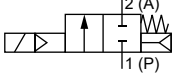
DTS 1000348453 EN Version: K Status: RL (released | freigegeben | validé) printed: 12.03.2025

**Steam variant with Kick and Drop coil (AC/DC) cURus (UL Recognized) coil approval**

Circuit function	Port connection	Orifice [mm]	K <sub>v</sub> value water <sup>1.)</sup> [m <sup>3</sup> /h]	Pressure range <sup>2.)</sup> [bar]	Max. medium temperature [°C]	Coil size [mm]	Article no.		
							024 / AC/ DC [V/Hz]	110...120/ AC <sup>3.)</sup> [V/Hz]	230...240/ AC <sup>3.)</sup> [V/Hz]
<b>Brass body, seal material PTFE/graphite</b>									
<b>CF A</b> 2/2-way solenoid valve Servo-controlled Normally closed 	NPT 1/2	13	3.7	0...10	150	42	320874 ☞	320863 ☞	320866 ☞
	NPT 3/4	20	5.6	0...10	150	42	320875 ☞	320864 ☞	320867 ☞
	NPT 1	25	10.0	0...10	150	42	320876 ☞	320865 ☞	320868 ☞
	NPT 1 1/4	32	16.0	0...10	150	42	330421 ☞	330425 ☞	330426 ☞
	NPT 1 1/2	32	16.0	0...10	150	42	330442 ☞	330443 ☞	330444 ☞

- 1.) Measurement at + 20 °C, 1 bar<sup>2.)</sup> at the valve inlet and free outlet
- 2.) Pressure data: overpressure to atmospheric pressure
- 3.) AC indicates 50 Hz or 60 Hz

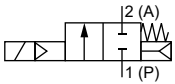
**Steam variant with DC-coil cURus (UL Recognized) coil approval**

Circuit function	Port connection	Orifice [mm]	K <sub>v</sub> value water <sup>1.)</sup> [m <sup>3</sup> /h]	Pressure range <sup>2.)</sup> [bar]	Max. medium temperature [°C]	Coil size [mm]	Article no.
							024/DC [V/Hz]
<b>Brass body, seal material PTFE/graphite</b>							
<b>CF A</b> 2/2-way solenoid valve Servo-controlled Normally closed 	NPT 1/2	13	3.7	0...10	140	42	324978 ☞
	NPT 3/4	20	5.6	0...10	140	65	324979 ☞
	NPT 1	25	10.0	0...10	140	65	324980 ☞
	NPT 1 1/4	32	16.0	0...10	140	65	332519 ☞
	NPT 1 1/2	32	16.0	0...10	140	65	332520 ☞

- 1.) Measurement at + 20 °C, 1 bar<sup>2.)</sup> at the valve inlet and free outlet
- 2.) Pressure data: overpressure to atmospheric pressure

**8.5. Standard variant DN 50**

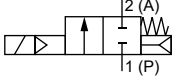
**Standard variant**

Circuit function	Port connection	Orifice [mm]	K <sub>v</sub> value water <sup>1.)</sup> [m <sup>3</sup> /h]	Pressure range <sup>2.)</sup> [bar]	Max. medium temperature [°C]	Coil size [mm]	Article no.	
							024/DC [V/Hz]	230 / AC/DC <sup>3.)</sup> [V/Hz]
<b>Brass body, seal material PTFE/graphite</b>								
<b>CF A</b> 2/2-way solenoid valve Servo-controlled Normally closed 	G 2	50	36.0	0...10	150	72	332162 ☞	332163 ☞
	G 2 1/2	50	36.0	0...10	150	72	332160 ☞	332161 ☞

- 1.) Measurement at + 20 °C, 1 bar<sup>2.)</sup> at the valve inlet and free outlet
- 2.) Pressure data: overpressure to atmospheric pressure
- 3.) A cable plug with rectifier is included in the scope of delivery.

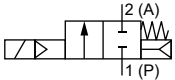
DTS 1000348453 EN Version: K Status: RL (released | freigegeben | valide) printed: 12.03.2025

Steam variant with valve seat in stainless steel

Circuit function	Port connection	Orifice [mm]	K <sub>v</sub> value water <sup>1.)</sup> [m <sup>3</sup> /h]	Pressure range <sup>2.)</sup> [bar]	Max. medium temperature [°C]	Coil size [mm]	Article no.	
							024/DC [V/Hz]	230 / AC/DC <sup>3.)</sup> [V/Hz]
<b>Brass body, seal material PTFE/graphite</b>								
<b>CF A</b> 2/2-way solenoid valve Servo-controlled Normally closed 	G 2	50	36.0	0...10	150	72	332149 ☒	332156 ☒

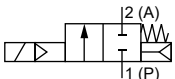
- 1.) Measurement at +20 °C, 1 bar<sup>2.)</sup> at the valve inlet and free outlet
- 2.) Pressure data: overpressure to atmospheric pressure
- 3.) A cable plug with rectifier is included in the scope of delivery.

8.6. ATEX/IECEx cable variant

Circuit function	Port connection	Orifice [mm]	K <sub>v</sub> value water <sup>1.)</sup> [m <sup>3</sup> /h]	Pressure range <sup>2.)</sup> [bar]	Max. medium temperature [°C]	Coil size [mm]	Article no.	
							024 / AC/DC [V/Hz]	230/AC [V/Hz]
<b>Brass body, seal material PTFE/FKM</b>								
<b>CF A</b> 2/2-way solenoid valve Servo-controlled Normally closed 	G 1/2	13	3.7	0...10	90	42	380853 ☒	380855 ☒
	G 3/4	20	5.6	0...10	90	65	380857 ☒	380860 ☒
	G 1	25	10	0...10	90	65	380864 ☒	380866 ☒

- 1.) Measurement at +20 °C, 1 bar<sup>2.)</sup> at the valve inlet and free outlet
- 2.) Pressure data: overpressure to atmospheric pressure

8.7. ATEX/IECEx terminal box variant

Circuit function	Port connection	Orifice [mm]	K <sub>v</sub> value water <sup>1.)</sup> [m <sup>3</sup> /h]	Pressure range <sup>2.)</sup> [bar]	Max. medium temperature [°C]	Coil size [mm]	Article no.	
							024 / AC/DC [V/Hz]	230/AC [V/Hz]
<b>Brass body, seal material PTFE/FKM</b>								
<b>CF A</b> 2/2-way solenoid valve Servo-controlled Normally closed 	G 1/2	13	3.7	0...10	90	42	380852 ☒	380854 ☒
	G 3/4	20	5.6	0...10	90	65	380856 ☒	380859 ☒
	G 1	25	10	0...10	90	65	380863 ☒	380865 ☒

- 1.) Measurement at +20 °C, 1 bar<sup>2.)</sup> at the valve inlet and free outlet
- 2.) Pressure data: overpressure to atmospheric pressure

DTS 1000348453 EN Version: K Status: RL (released | freigegeben | validé) printed: 12.03.2025

Further variants on request	
<b>Approval</b> <ul style="list-style-type: none"> <li>• UL Listed</li> <li>• UL Recognized</li> <li>• UL Listed for Hazardous Locations for USA and Canada</li> <li>• ATEX/IECEX</li> </ul>	<b>Voltage</b> Further voltages on request
<b>Process connection</b> <ul style="list-style-type: none"> <li>• NPT</li> <li>• RC</li> <li>• Flange body acc. to DIN EN 1902 - 1</li> </ul>	<b>Temperature</b> Special temperature ranges

### 8.8. Ordering chart accessories

#### Cable plug Type 2518, form A according to DIN EN 175301 - 803

**Note:**

- Dimensions in mm
- For further variants see data sheet **Type 2518** ▶

Cable plug	Dimensions	Variant	Voltage	Article no.
		Without circuitry (AC/DC)	0...250 V AC/DC	314802 𐀀
		With LED (AC/DC)	12...24 V AC/DC	314812 𐀀
		With LED and varistor (AC/DC)	12...24 V AC/DC	314820 𐀀
		With rectifier, LED and varistor	12...24 V AC/DC	314816 𐀀

#### Cable plug Type 2509, form A according to DIN EN 175301 - 803

**Note:**

- Dimensions in mm
- Without circuitry (standard)
- The cable plug Type 2509 meets the requirements in accordance with ATEX Cat. 3 GD in assembly with a Bürkert solenoid valve.
- The cable plug Type 2509 meets the requirements in accordance with UL Listed (UL 429) in assembly with a Bürkert solenoid valve.
- Refer to data sheet **Type 2509** ▶ for more information about the cable plug.

Cable plug	Dimensions	Variant	Voltage	Article no.
		Without circuitry	0...250 V AC/DC	137943 𐀀

DTS 1000348453 EN Version: K Status: RL (released | freigegeben | validé) printed: 12.03.2025

### Cable glands for ATEX/IECEX terminal box

#### Note:

- A cable gland in polyamide variant is included in the delivery. A nickel-plated brass variant can be ordered at surcharge.
- Refer to [“7.1. Cable glands for ATEX/IECEX terminal box” on page 12](#) for more information about Ex cable glands.
- Refer to [“7.2. Special tool to turn the terminal box” on page 13](#) for more information about special wrench.

Description	Article no.
Ex cable gland, nickel-plated brass, 6..13 mm <sup>1)</sup>	773278 𐀀
Ex cable gland, polyamide, 7..13 mm <sup>1)</sup>	773277 𐀀
Set SC02-AC10: special wrench <sup>2)</sup> incl. service manual	293488 𐀀

1.) Cable diameter

2.) Not included in the scope of delivery of the valve